

EVBox Liviqo



EVBOX

evbox.com

Technical specifications

ELECTRICAL PROPERTIES	
Maximum charge rate	Up to 22 kW (3-phase, 32 A)
Charging mode	Mode 3 (IEC 61851-1)
Connector type	IEC 62196-1, IEC 62196-2 compliant: Type 2 fixed cable, 6 m charging cable Type 2 socket Type 2 socket with shutter Type 2 socket with shutter and Type E module ⁽¹⁾
kWh meter	MID-certified with class B accuracy (EN-50470) Eichrecht compliant meter ⁽¹⁾
Input capacity	6 – 32 A configurable 1-phase, 230 V ±10%, maximum 32 A ±6%, 50/60 Hz 3-phase, 400 V ±10%, maximum 32 A ±6%, 50/60 Hz
Power cable sheath diameter	12 – 25 mm
Power cable wire gage	Solid wire: maximum 16 mm ² Stranded wire with ferrule (without plastic sleeve): maximum 10 mm ²
Rated impulse withstand voltage (U _{imp})	4000 V
Rated insulation voltage (U _i)	250 V AC (phase to ground) 450 V AC (phase to phase)
Leakage current detection	Tripping times and limits are compliant with IEC 61851-1:2017 Cl. 8.5. (in accordance with IEC 62955:2018 Table 2). RCBO: Type A or Type B ⁽¹⁾
ENVIRONMENT AND SAFETY CLASS	
Operating temperature	-30 °C to +50 °C
Storage temperature	-40 °C to +80 °C
Humidity (non-condensing)	5% to 95%
Installation altitude at above sea level (maximum)	2000 m
Enclosure codes	IP55 (IEC 60529) IK10 (IEC 62262)
ENVIRONMENT AND SAFETY CLASS	
Safety class	Safety Class I and Overvoltage Category III
Pollution degree	3
Electromagnetic compatibility (EMC) classification	Environment A and Environment B (in accordance with IEC 61439-1)
Mechanical resistance for stationary assembly	High resistance
CONNECTIVITY	
Authorization	RFID reader or using an app
Wi-Fi	2.4/5 GHz
Local area network	Ethernet
Cellular communication	4G LTE-M (2G fallback supported)
Communication protocol	OCPP 2.0.1
Smart charging features	Dynamic load balancing, Cluster load balancing, EEBus compliant, ISO 15118 (hardware ready)
PHYSICAL PROPERTIES	
Dimensions (W x H x D)	256 x 508 x 211 mm
Weight	Fixed cable: Approximately 8.4 kg Socket: Approximately 5 kg
Power cable entry	Top or bottom
Housing material	Low-carbon Makrolon RE [®]
HMI	5" 800 x 480 WVGA IPS LCD, LED ring, buzzer, authorization
CERTIFICATION AND COMPLIANCE	
Power supply input	EV supply equipment permanently connected to AC supply network
Power supply output	AC EV supply equipment
Normal environmental conditions	Indoor and outdoor use
Access	Equipment for locations with non-restricted access
Equipment type	Stationary equipment that is wall-mounted or pole-mounted

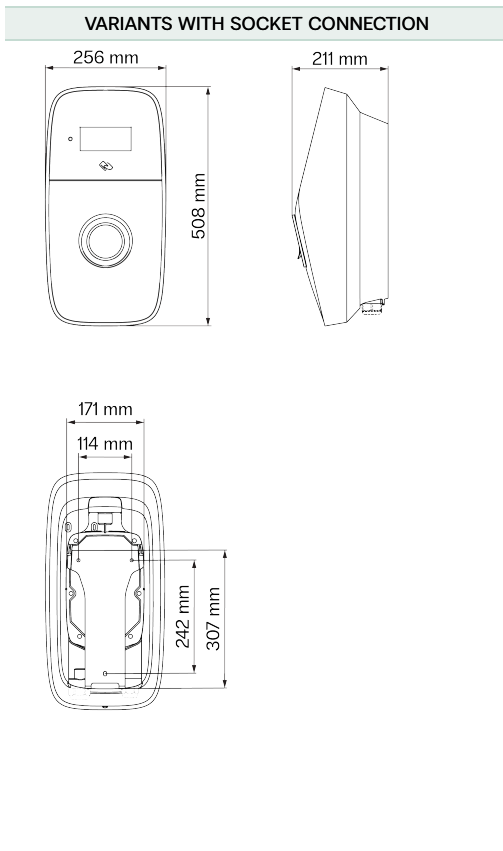
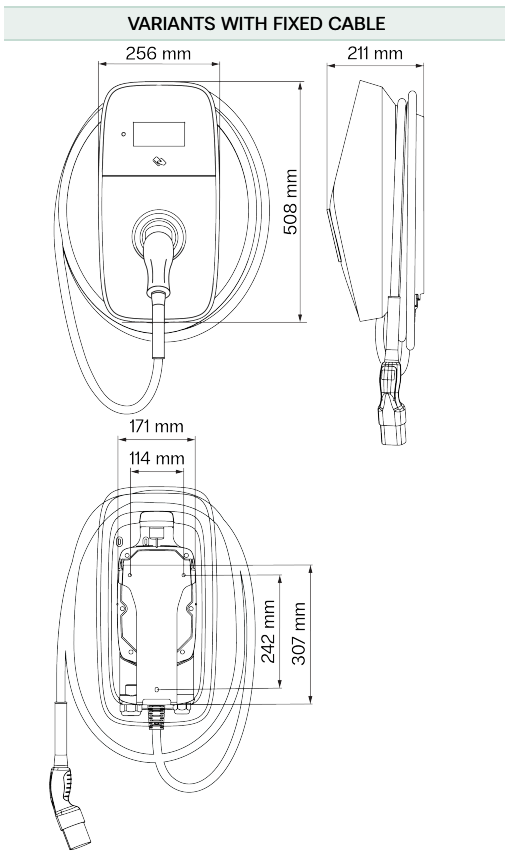
VARIANTS ⁽²⁾	
Type 2 Fixed cable	7.4 kW Q13262EUC00-CHS
	11 kW Q31662EUC00-CHS
	22 kW Q33262EUC00-CHS Q33262EUC80-CHS
Type 2 Socket	11 kW Q316S2EUC80-CHS
	22 kW Q332S2EUC00-CHS Q332S2EUC80-CHS Q332S2DEC00-CHS

VARIANTS ⁽²⁾	
Type 2 Socket with shutter	22 kW Q332SSFRC10-CHS Q332SSFRC1E-CHS

⁽¹⁾ Optional.

⁽²⁾ See the EVBox Liviqo Type Guide for more information.

Dimensions



Specifications and performance data contain average values within existing specification tolerances and are subject to change without prior notice.

© EVBox. All rights reserved. The EVBox name and logo are trademarks of EVBox B.V or one of its affiliates. No part of this document may be modified, reproduced, processed, or distributed in any form or by any means, without the prior written permission of EVBox.