

EVBox Livo and EVBox Livo 2



EVBOX

evbox.com

Technical specifications

ELECTRICAL PROPERTIES	
Maximum charge rate	Up to 22 kW (3-phase, 32 A)
Charging mode	Mode 3 (IEC 61851-1)
Connector type	IEC 62196-1, IEC 62196-2 compliant: Type 2 fixed cable, 6 m charging cable Type 2 socket Type 2 socket with shutter
kWh meter	Class A accuracy $\pm 2\%$ (in accordance with EN 50470-3)
Input capacity	6 – 32 A configurable 1-phase, 230 V AC $\pm 10\%$, maximum 32 A $\pm 6\%$, 50/60 Hz 3-phase, 400 V AC $\pm 10\%$, maximum 32 A $\pm 6\%$, 50/60 Hz
Power cable sheath diameter	13 – 25 mm
Power cable wire gage	Solid wire: maximum 10 mm ² Stranded wire with ferrule (without plastic sleeve): maximum 6 mm ²
Rated impulse withstand voltage (<i>U_{imp}</i>)	4000 V
Rated insulation voltage (<i>U_i</i>)	250 V AC (phase to ground) 450 V AC (phase to phase)
Leakage current detection	Tripping times and limits are compliant with IEC 61851-1:2017 Cl. 8.5. (in accordance with IEC 62955:2018 Table 2).

ENVIRONMENT AND SAFETY CLASS	
Operating temperature	-30 °C to +50 °C
Storage temperature	-40 °C to +80 °C
Humidity (non-condensing)	5% to 95%
Installation altitude at above sea level (maximum)	3000 m above sea level
Enclosure codes	IP55 (IEC 60529) IK10 (IEC 62262)
Safety class	Safety Class I and overvoltage Category III
Pollution degree	3

ENVIRONMENT AND SAFETY CLASS	
Electromagnetic compatibility (EMC) classification	Environment A and Environment B (in accordance with IEC 61439-1)
Mechanical resistance for stationary assembly	High resistance
CONNECTIVITY	
Authorization	RFID reader or using an app
Wi-Fi	2.4/5 GHz
Local area network	Ethernet
Cellular communication	4G LTE-M (2G fallback supported)
SIM tray	4FF nano-SIM
Communication protocol	OCPP 2.0.1
Smart charging features	Dynamic load balancing, Cluster load balancing, Standalone solar-optimized charging ⁽¹⁾ , EEBUS, ISO 15118 (hardware ready)
PHYSICAL PROPERTIES	
Dimensions (W x H x D)	250 x 366 x 184 mm
Weight	Fixed cable Approximately 5.9 kg
	Socket Approximately 3.5 kg
Power cable entry	Top or bottom
Housing material	Low-carbon Makrolon RE®
HMI	4 LED indicator lights, buzzer, light sensor

CERTIFICATION AND COMPLIANCE	
Power supply input	EV supply equipment permanently connected to AC supply network
Power supply output	AC EV supply equipment
Normal environmental conditions	Indoor and outdoor use
Access	Equipment for locations with non-restricted access
Equipment type	Stationary equipment that is wall-mounted or pole-mounted

⁽¹⁾Supported only in EVBox Livo 2 variants.

Variants

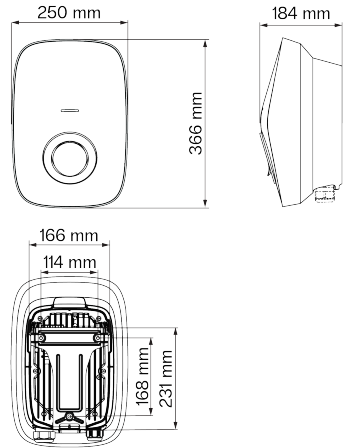
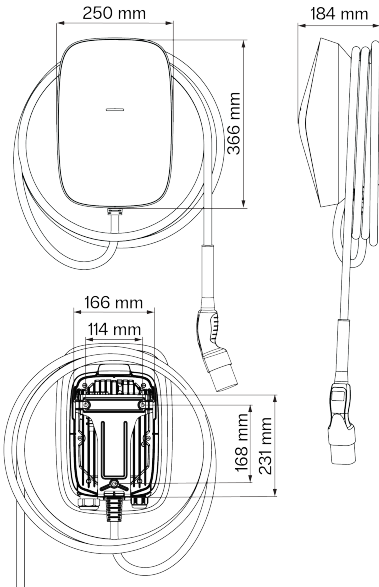
EVBOX LIVO			EVBOX LIVO 2		
	7.4 kW	L13262EUC00-CHX	7.4 kW	L13262EUC0S-CHX	
Type 2 Fixed cable	11 kW	L31662EUC00-CHX	Type 2 Fixed cable	11 kW	L31662EUC0S-CHX
	22 kW	L33262EUC00-CHX		22 kW	L33262EUC0S-CHX
Type 2 Socket	22 kW	L332S2EUC00-CHX	Type 2 Socket	22 kW	L332S2EUC0S-CHX
Type 2 Socket with shutter	22 kW	L332SSEUC00-CHX	Type 2 Socket with shutter	22 kW	L332SSEUC0S-CHX

X = S for variants with SIM card; X = 0 for variants without SIM card.

Dimensions

VARIANTS WITH FIXED CABLE

VARIANTS WITH SOCKET CONNECTION



Specifications and performance data contain average values within existing specification tolerances and are subject to change without prior notice.

© EVBox. All rights reserved. The EVBox name and logo are trademarks of EVBox B.V or one of its affiliates. No part of this document may be modified, reproduced, processed, or distributed in any form or by any means, without the prior written permission of EVBox.