

EVBox BusinessLine 3rd generation

**Installation and commissioning
manual Part B**

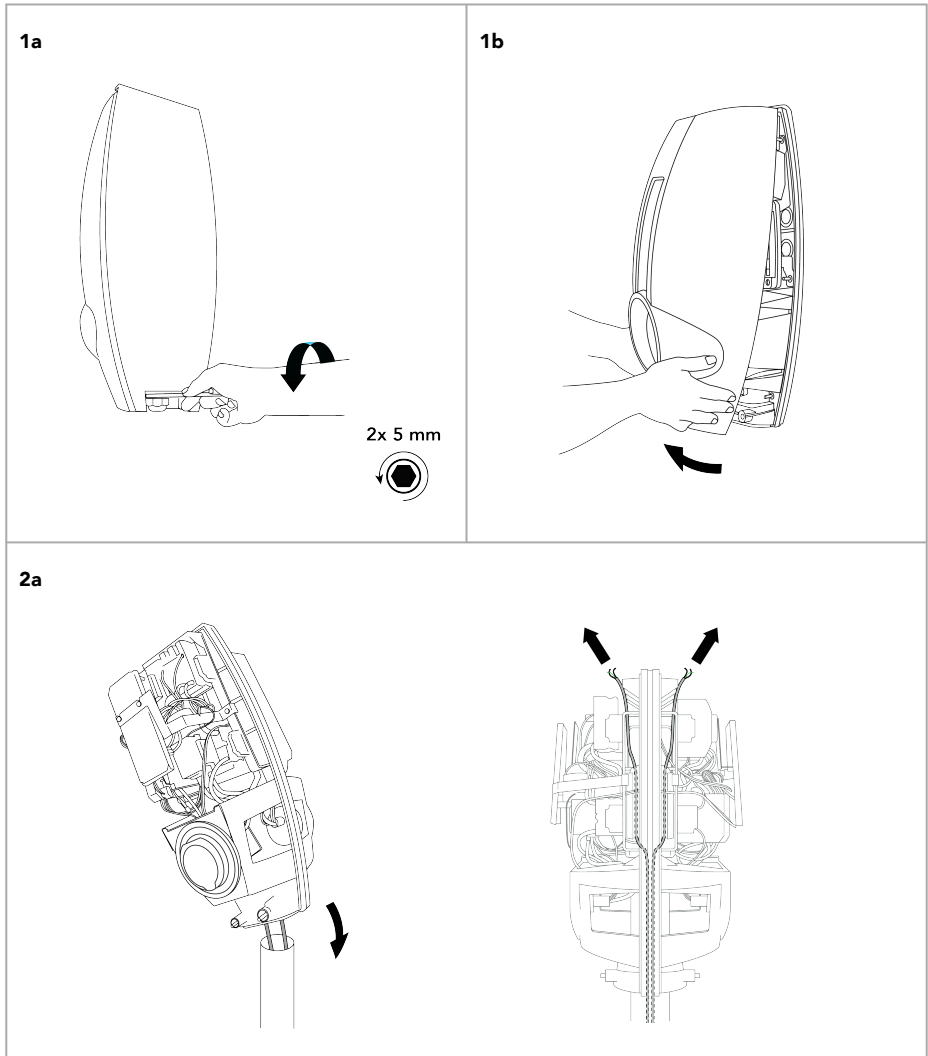
EVBox BusinessLine 3rd generation

**Installation and commissioning
manual Part B**

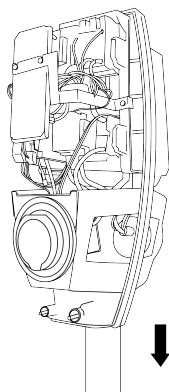
Contents

1. Install the station	3
2. Connect power cables	6
3. Optional: Connect Hub-Satellite network cables	8
4. Optional: Connect Smart Charging network cables	10
5. Install cover	11

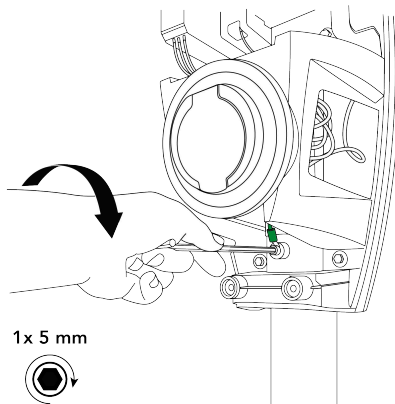
1. Install the station



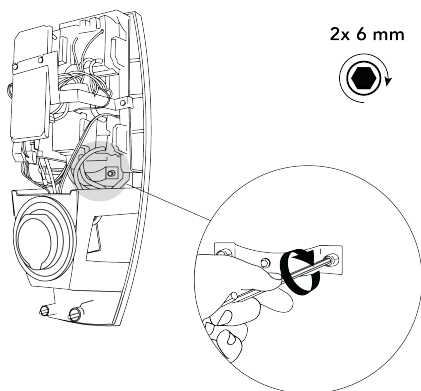
2b



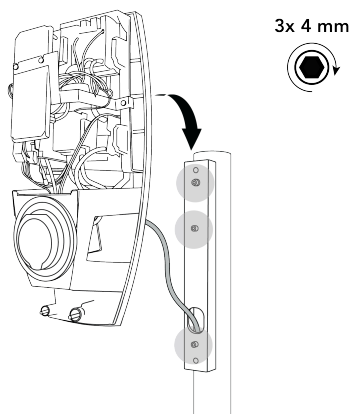
2d



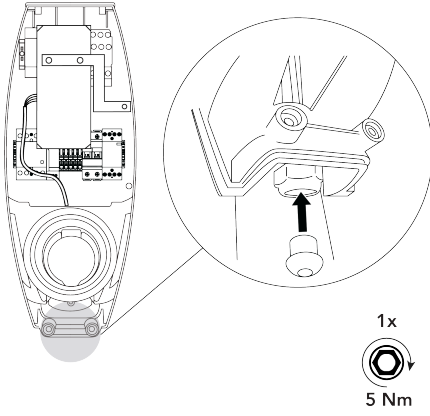
2e



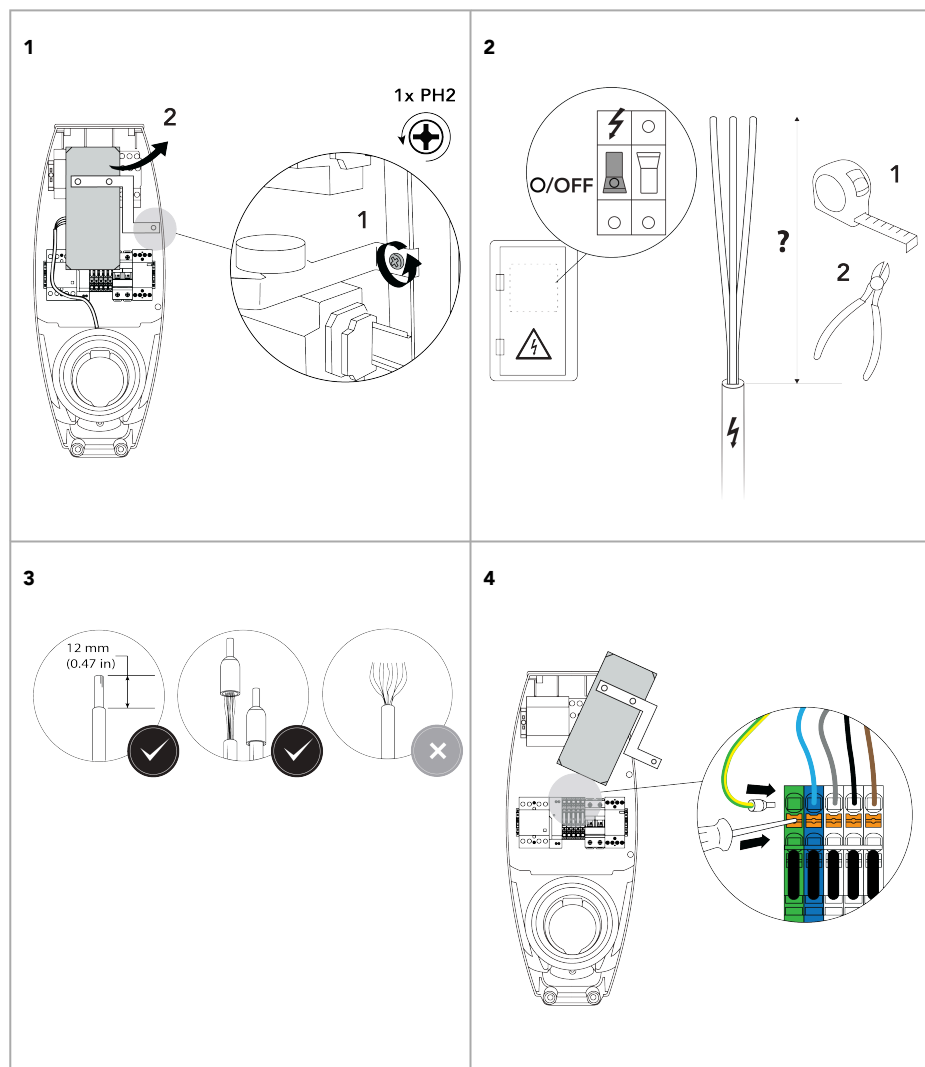
3b



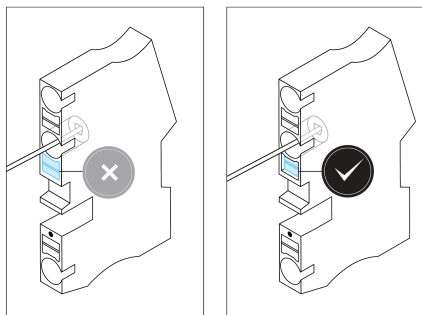
3d



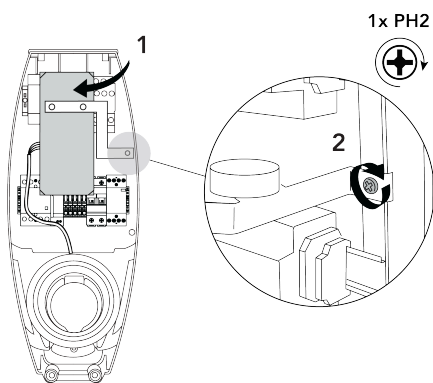
2. Connect power cables



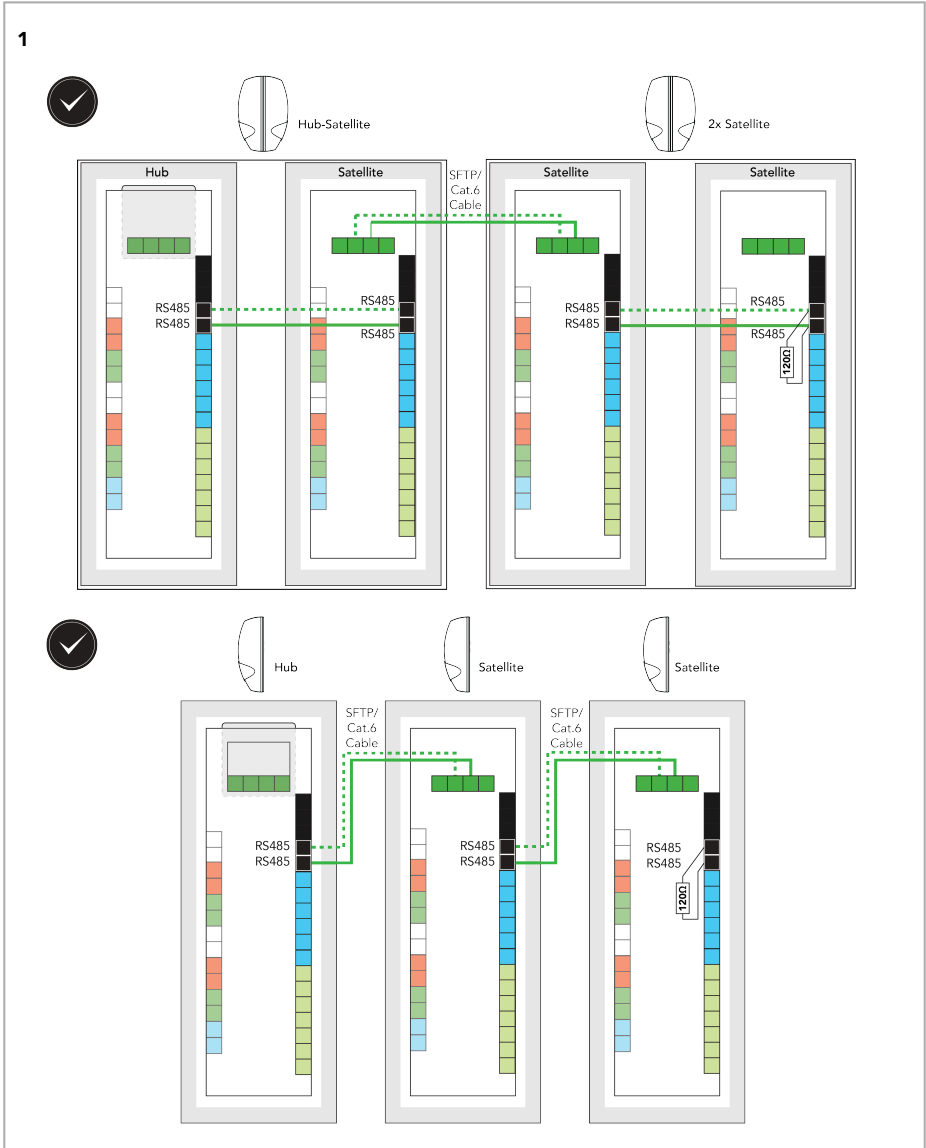
5



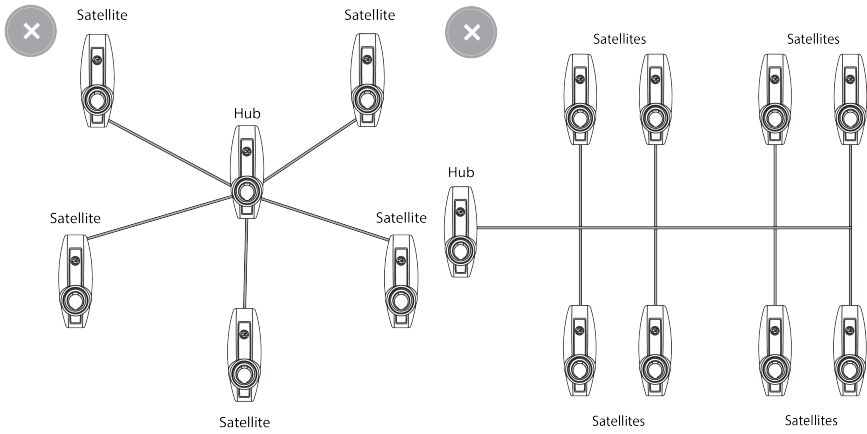
7



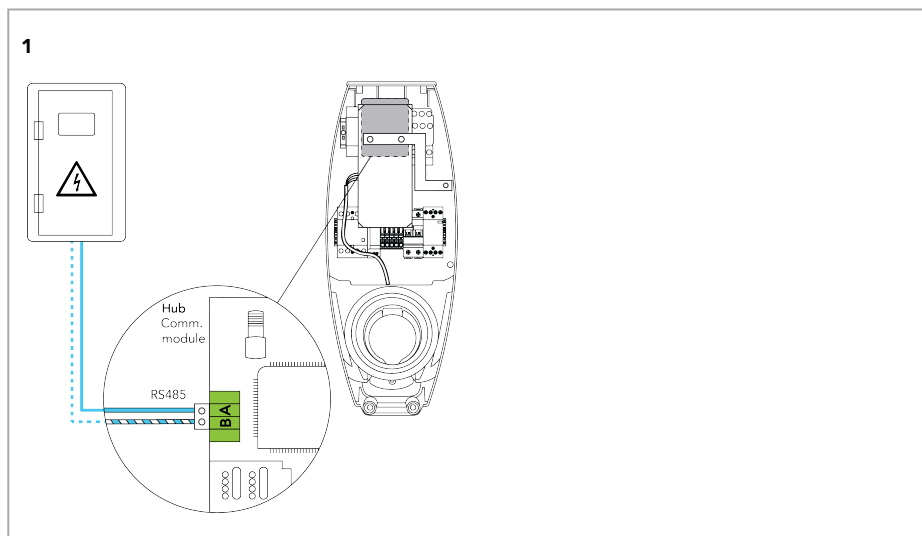
3. Optional: Connect Hub-Satellite network cables



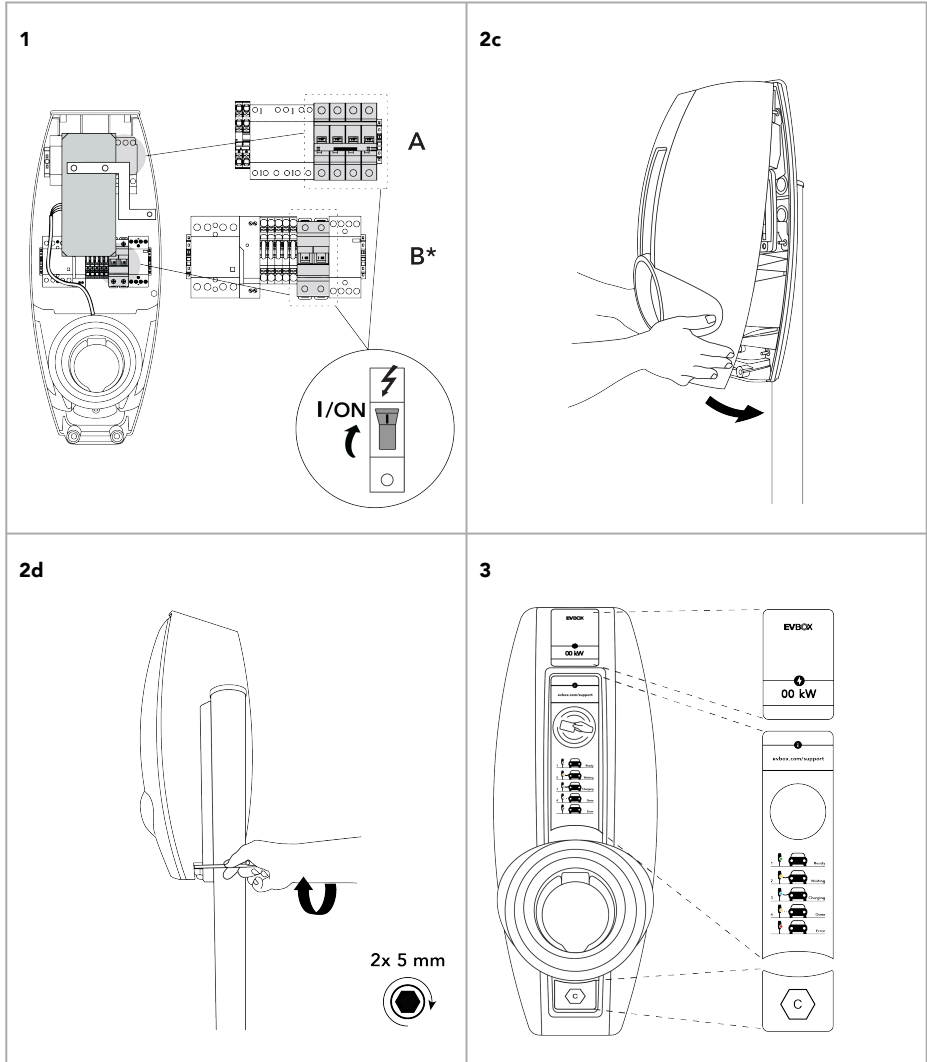
2



4. Optional: Connect Smart Charging network cables



5. Install cover



4

