

# **EVBox BusinessLine**

3rd generation

---

**Retrofit manual**

**LED-ring capacitive filter**



# **EVBox BusinessLine**

3rd generation

---

**Retrofit manual**

**LED-ring capacitive filter**



# Contents

1. Introduction	3
2. Safety precautions	4
3. Tools and materials	5
4. Installation procedure	7
4.1. Prepare the work area	7
4.2. Remove the charging station cover	7
4.3. Install the LED-ring capacitive filter	8
4.4. Install the charging station cover	9
4.5. Test the charging station	10
5. Disclaimer	11



# 1. Introduction

This Retrofit Manual tells you how to install a capacitive filter on the LED ring cable in the EVBox BusinessLine 3rd Generation charging station. You must carefully read the safety information before you start.

**Note:**

This manual is applicable to both single and double charging stations.

Only a qualified electrician is permitted to do the procedures described in this manual.

## Symbols used in this manual

**DANGER:**

Indicates an imminently hazardous situation with a high risk level which, if the danger is not avoided, will cause death or serious injury.

**WARNING:**

Indicates a potentially hazardous situation with moderate risk level which, if the warning is not obeyed, can cause death or serious injury.

**CAUTION:**

Indicates a potentially hazardous situation with a medium risk level which, if the caution is not obeyed, may cause minor or moderate injury or damage to the equipment.

**Note:**

Notes contain helpful suggestions, or references to information not contained in this manual.

1., a. or i. Action to be followed in the stated order.

## 2. Safety precautions

**DANGER:**

Servicing and repair of the charging station by a non-qualified person will result in the risk of electric shock, which will cause severe injury or death.

- Only a qualified electrician is permitted to install, service, repair and relocate the charging station.
- The user must not attempt to service or repair the charging station as it does not contain user-serviceable parts.
- Local regulations may be applicable and may vary depending on your region / country of use. The qualified electrician must always ensure that the station is installed according to the local regulations.

**DANGER:**

Working on electric installations without proper precautions will result in the risk of electric shock, which will cause severe injuries or death.

- Switch off input power before servicing or repairing the charging station. Keep the power off until the charging station is fully installed and secure.
- Do not switch on the charging station if it is not fully installed or not secure.
- Do not install a component or a charging cable that is faulty or has a noticeable issue.

**DANGER:**

Not following the instructions given in this manual will result in the risk of electric shock, which will cause severe injury or death.

- Read this manual before working on the charging station.

**WARNING:**

Using materials other than those specified in this manual for servicing or repair of the charging station can damage the charging station.

- Do not use use materials other than those specified in this manual, especially materials containing silicone or phosphorus, as they can damage the charging station.

**WARNING:**

Servicing the charging station during wet environmental conditions (for example rain or fog) can result in the risk of electric shock and damage to the product, which can cause severe injuries or death.

- Do not open or service the charging station during wet environmental conditions (for example rain or fog).

**CAUTION:**

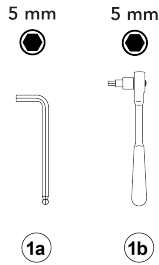
Not taking precautions against ESD (Electrostatic discharge) can damage electronic components in the charging station.

- Take the necessary precautions against ESD before touching electronic components.



### 3. Tools and materials

#### Tools

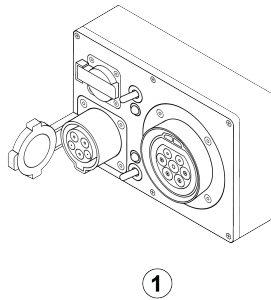


1a. Hex key, 5 mm.

1b. Hex key socket wrench, 5 mm.\*

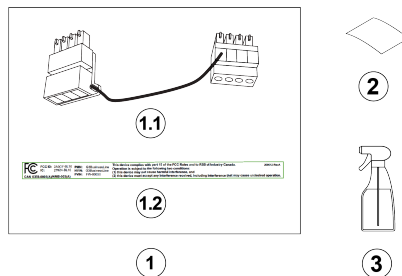
\* Use when the charging station is mounted on a wall bracket.

#### Tools - optional



1. EVBox Dual Socket Test Box, article number 462323 (or equivalent electrical vehicle test box CCS1).

#### Materials



1. 1x capacitive filter kit (per charging socket).  
EVBox part number 100470.
  - 1.1 Capacitive filter.
  - 1.2 Identification label.
2. Cleaning cloth.
3. Non-aggressive detergent cleaning spray.

## 4. Installation procedure

### 4.1. Prepare the work area

**DANGER:**

Working on electric installations without proper precautions will result in the risk of electric shock, which will cause severe injury or death.

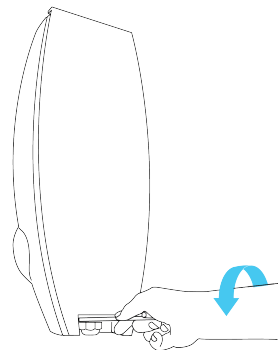
- Read and obey the safety precautions at the beginning of this manual before you install, repair, service or use this charging station.
- Switch off all power at the power supply cabinet. Secure the power supply cabinet and put up warning signs to prevent accidental supply of power.

1. In the power supply cabinet, isolate the power supply to the charging station.
2. Put up warning signs to prevent accidental connection of power to the charging station.
3. Make sure that unauthorized persons cannot access the work area.

### 4.2. Remove the charging station cover

1. Use a 5 mm hex key to remove two screws from the bottom of the charging station (four screws for the double charging station).

When the charging station is mounted on a wall bracket, the space to tighten the cover bolts is very small. Use a small socket wrench with a 5 mm hex key bit.

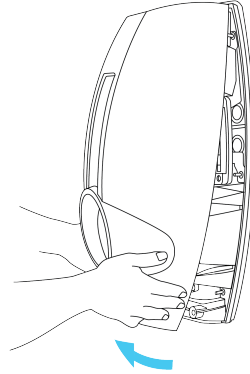


2x 5 mm



2. Open the cover from the bottom and lift it off the charging station.

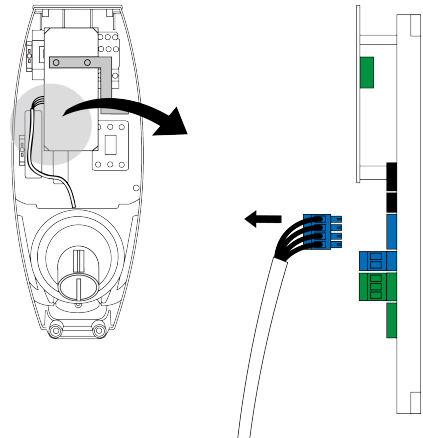
Put the cover front side up in a place where it cannot get damaged.



3. For a double charging station remove the second cover in the same way.

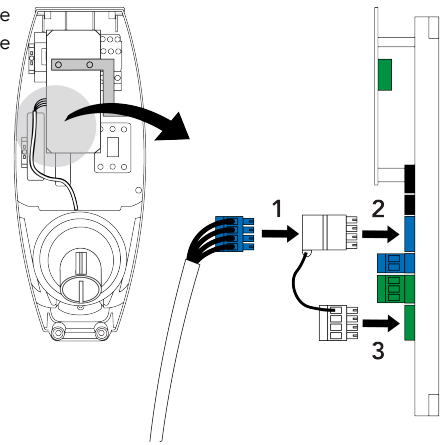
### 4.3. Install the LED-ring capacitive filter

1. Disconnect the LED-ring cable blue plug from the control board blue socket.



#### 4. Installation procedure

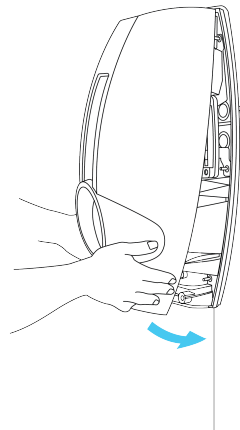
2. Connect the capacitive filter to the LED-ring cable blue plug, then connect the capacitive filter to the control board blue and green sockets.



3. For a double charging station, repeat this procedure on the second station.

#### 4.4. Install the charging station cover

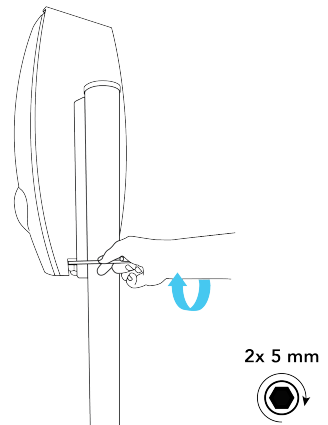
1. Make sure the wiring around the socket is clear of the socket locking mechanism.
2. Put the top of the cover over the top edge of the charging station frame and then pull the cover downwards.



3. Make sure no wires are trapped around the edge of the cover.
4. Make sure the cover locks onto the frame and the rubber seals are in position to ensure protection against water and dirt.

5. Tighten the bolts at the bottom of the cover using a 5 mm hex key.

When the charging station is mounted on a wall bracket, the space to tighten the cover bolts is very small. Use a small socket wrench with a 5 mm hex key bit.

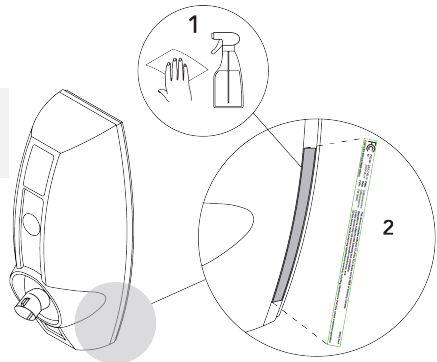


6. For a double charging station install the second cover in the same way.
7. Clean and dry the area on the cover where the identification label is to be installed. Install the identification label.



**CAUTION:**

Do not use aggressive chemical cleaners or solvents to clean the charging station.



## 4.5. Test the charging station

1. Remove the warning signs from the power supply.
2. Switch on electrical power to the charging station.
3. Test the charging station using the EVBox Dual Socket Test Box or by charging a vehicle as described in the applicable charging station User Manual.

## 5. Disclaimer

The present document is drawn up by way of information only and does not constitute an offer binding upon EVBox ("EVBox"). EVBox has compiled the contents of this document to the best of its knowledge. No express or implied warranty is given for the completeness, accuracy, reliability or fitness for particular purpose of its content and the products and services presented therein. Specifications and performance data contain average values within existing specification tolerances and are subject to change without prior notice. Prior to ordering, always contact EVBox for the latest information and specification. EVBox explicitly rejects any liability for any direct or indirect damage, in the broadest sense, arising from or related to the use and/or interpretation of this document. EVBIM\_112021 © EVBox Manufacturing North America Inc.

EVBox strives to manufacture products of the highest quality. EVBox products for the US market are UL 2594 tested and compliant. For the Canadian market, they are CSA C22.2 No. 280-16 tested and compliant. More details can be found at [evbox.us](http://evbox.us) or in this installation manual. EVBox products are sold with a limited warranty described at [evbox.us/general-terms-conditions](http://evbox.us/general-terms-conditions).

© 2021 EVBox North America, Inc. All rights reserved. BusinessLine, EVBox® and the EVBox logo are trademarks or registered trademarks.

EVBox North America Inc.,  
1930 Innovation Way, Suite 200,  
Libertyville, IL 60048, USA  
[www.evbox.com/support](http://www.evbox.com/support)







