

EVBox BusinessLine 4th generation

**Installation and commissioning
manual Part B**

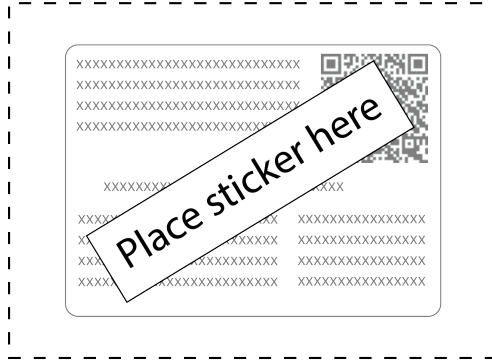
EVBox **BusinessLine** 4th generation

**Installation and commissioning
manual Part B**

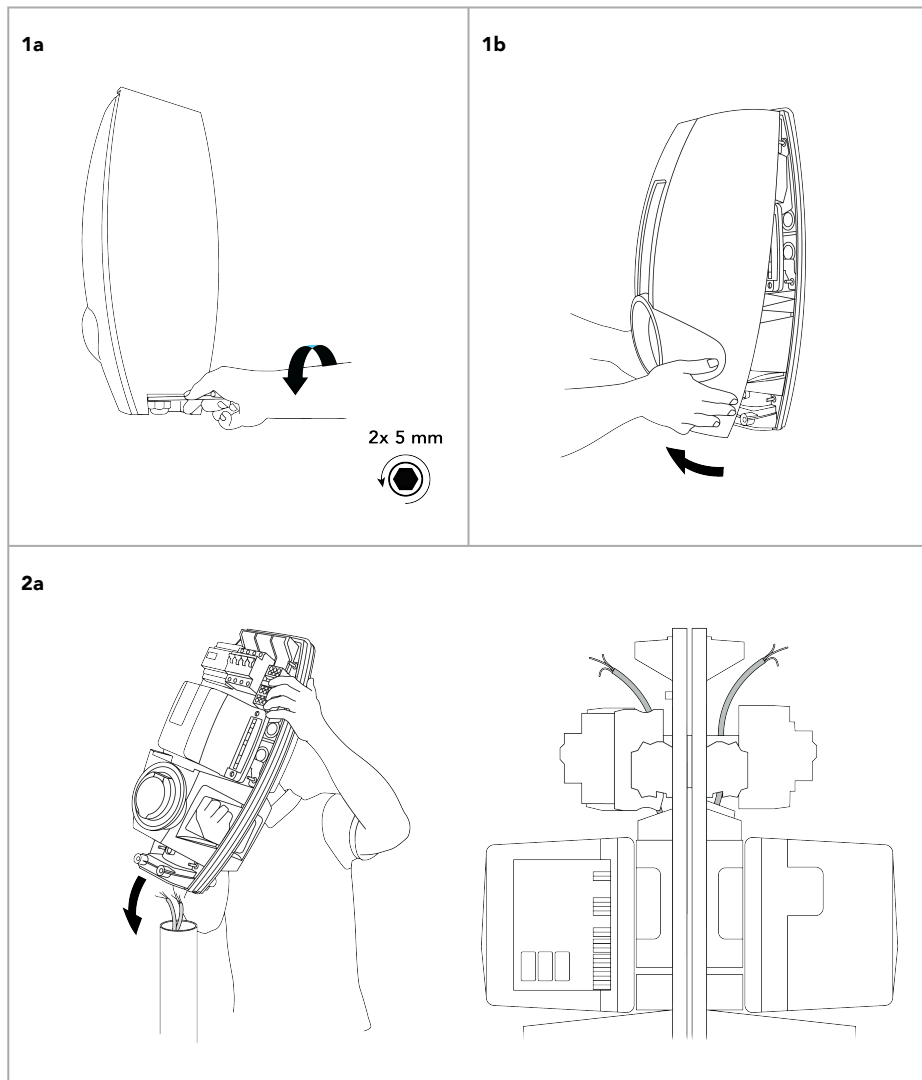
Contents

1. Configuration sticker	3
2. Install the station	4
3. Connect power cables	10
4. Connect Hub-Satellite network cables	12
5. Connect Smart Charging network cables	15
6. Install cover	16

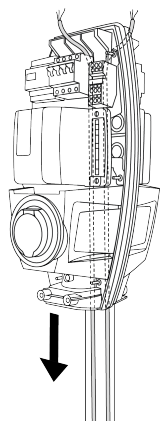
1. Configuration sticker



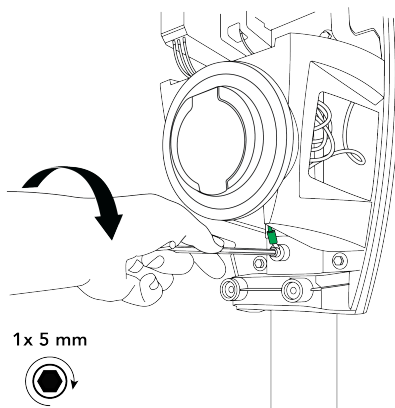
2. Install the station



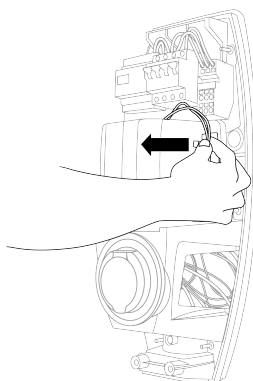
2b



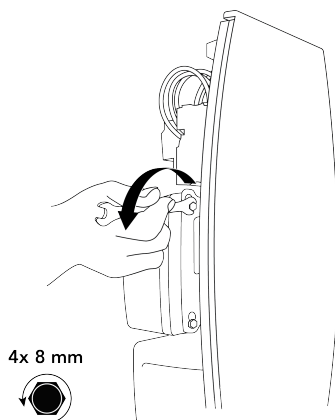
2d



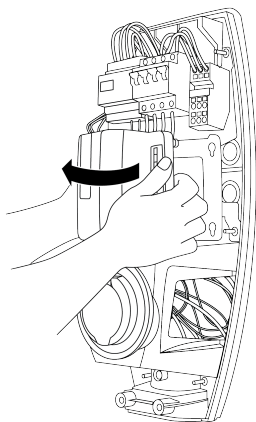
2e



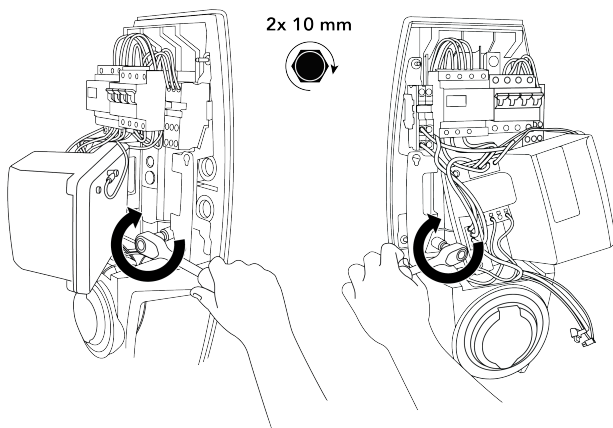
2f



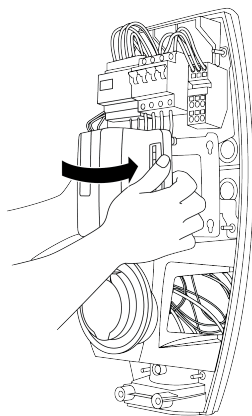
2g



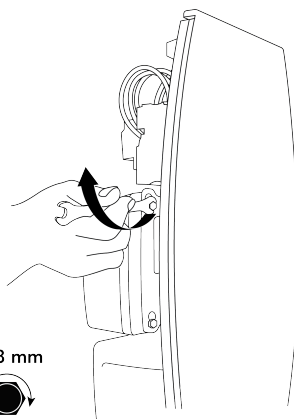
2h



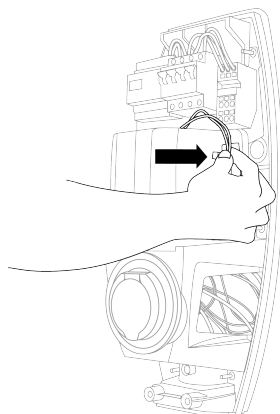
2i



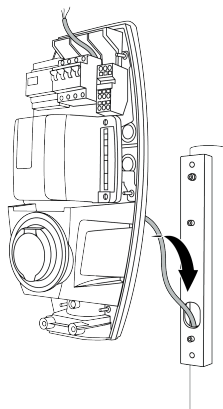
2j



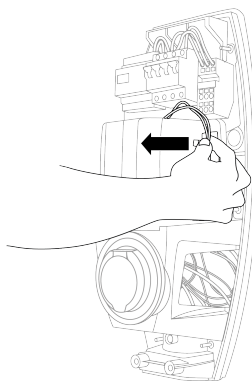
2k



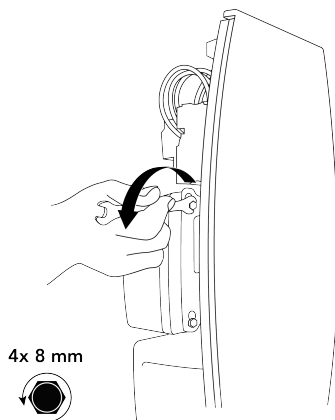
3b



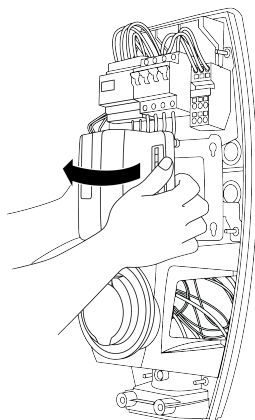
3c



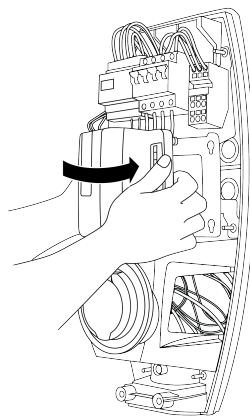
3d



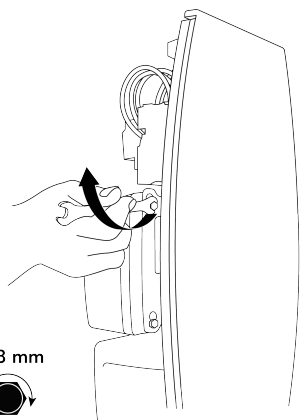
3e



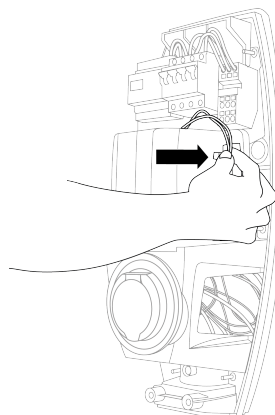
3g



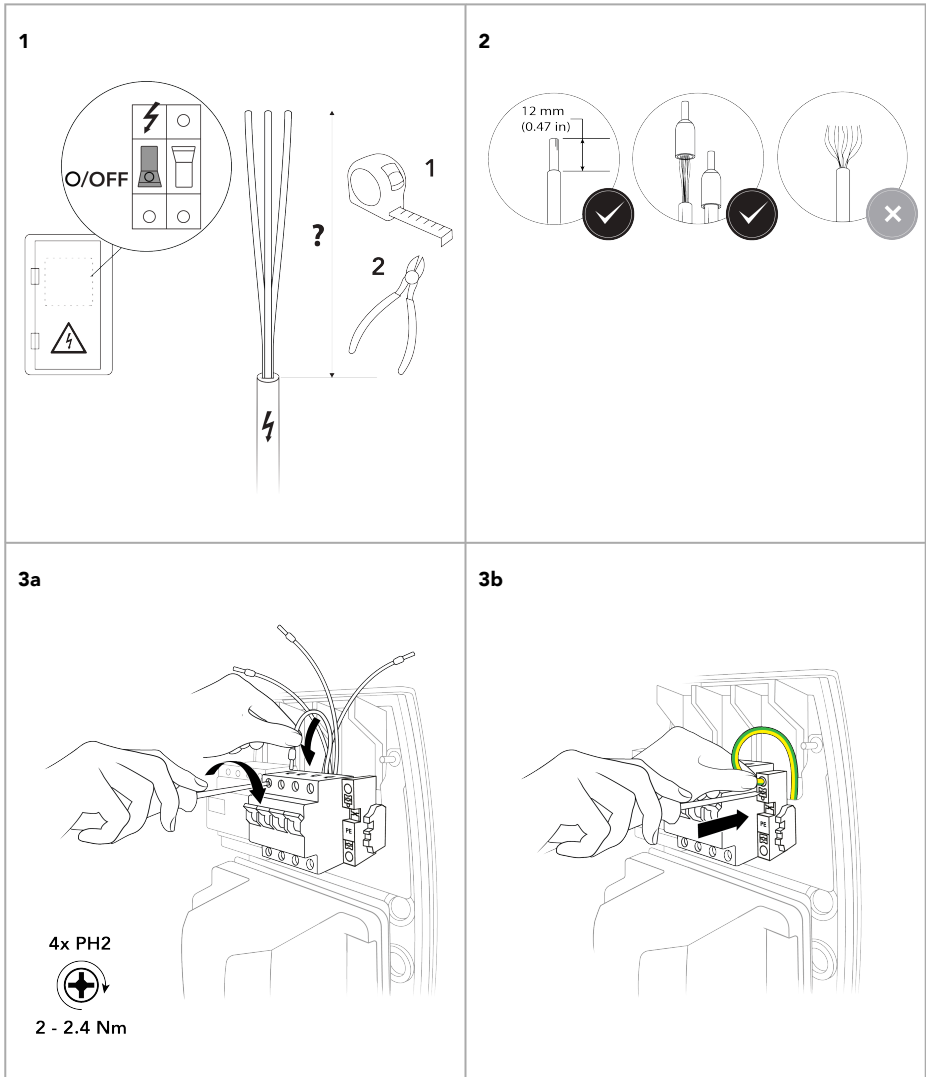
3h



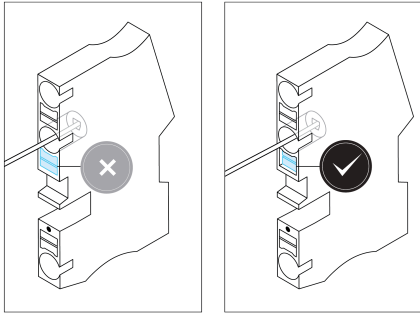
3i



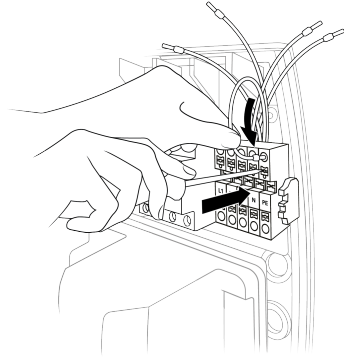
3. Connect power cables



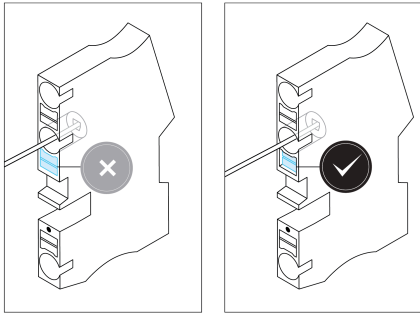
3c



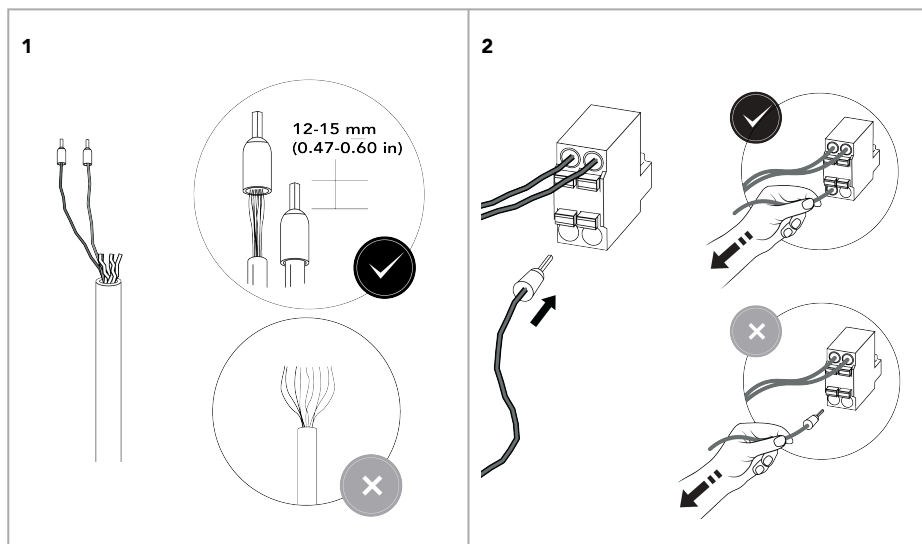
4a



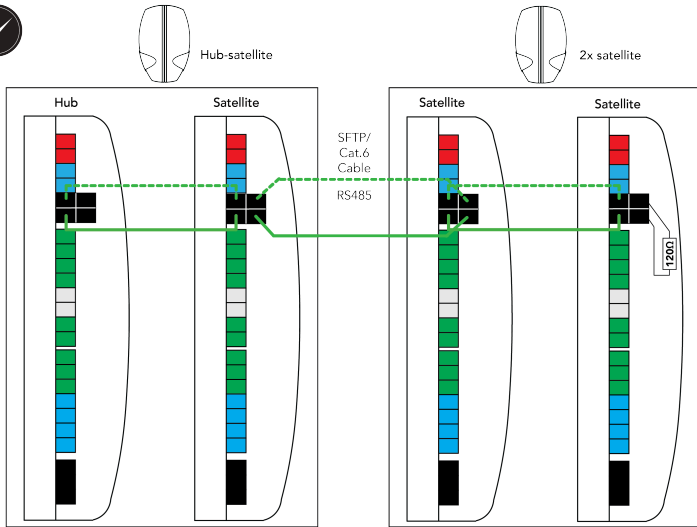
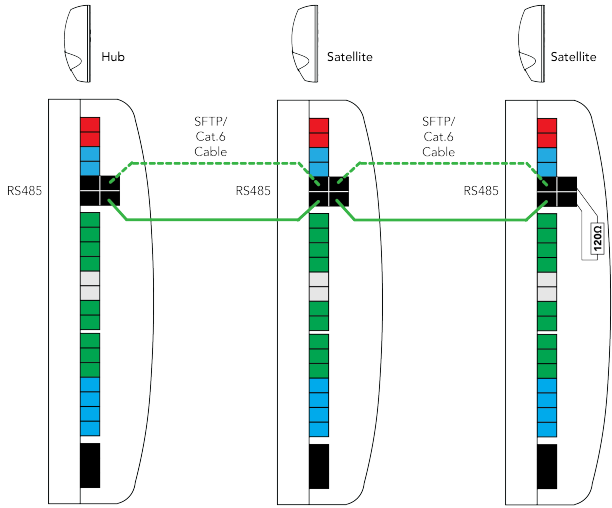
4b

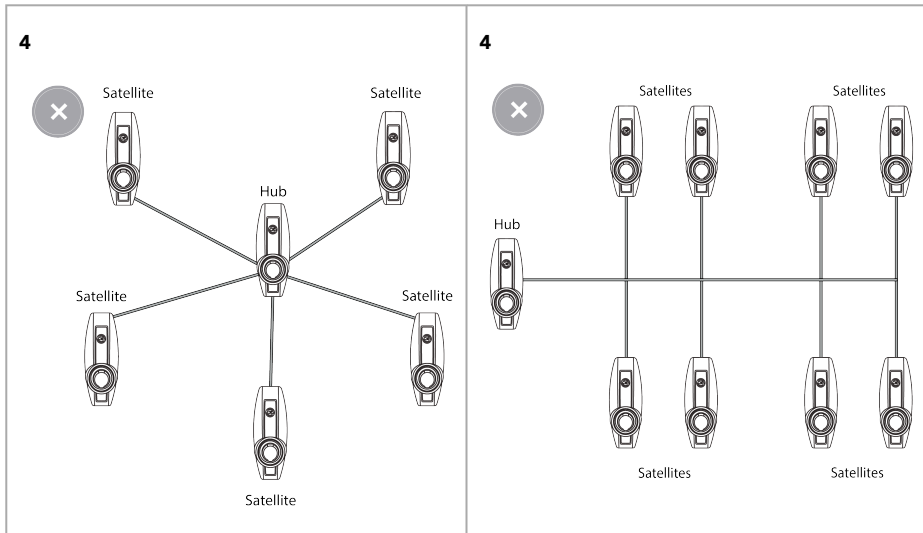


4. Connect Hub-Satellite network cables

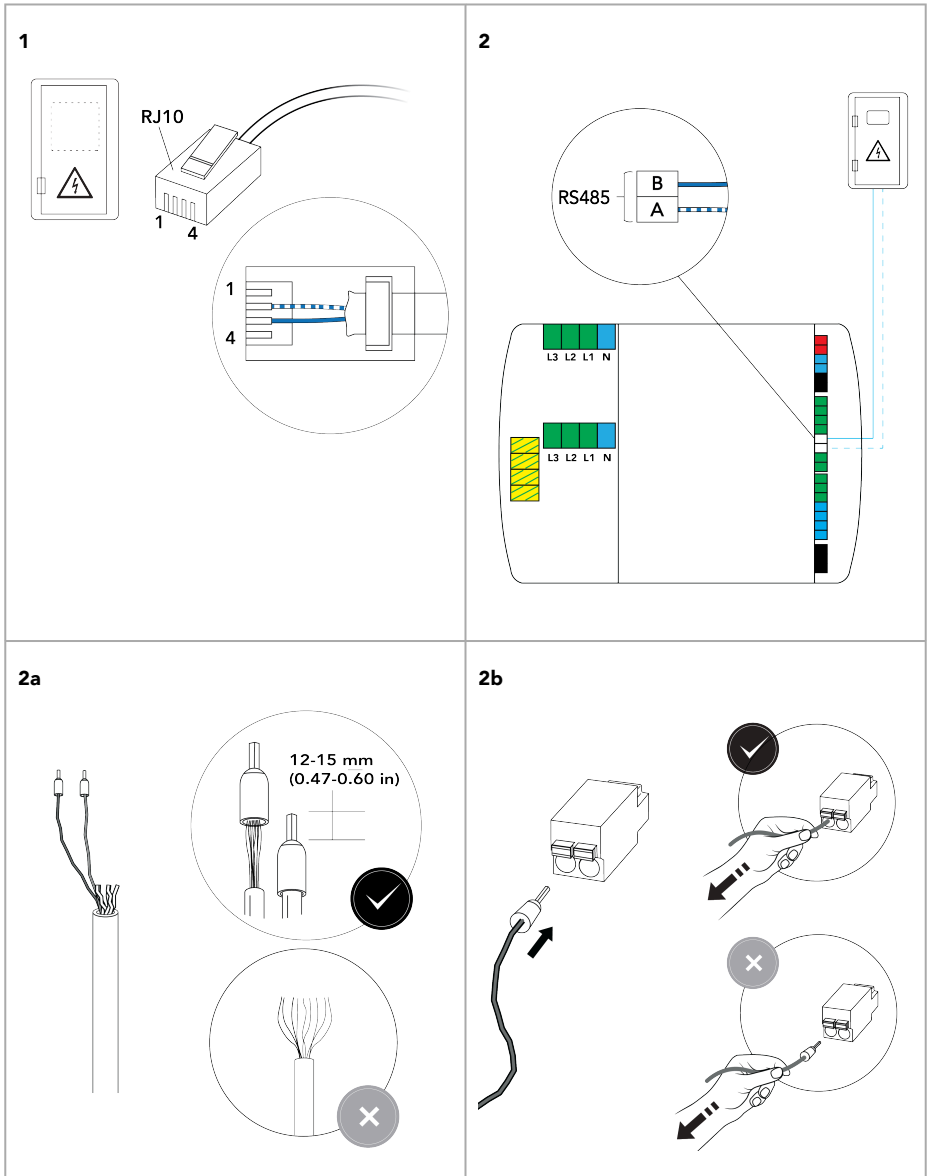


3





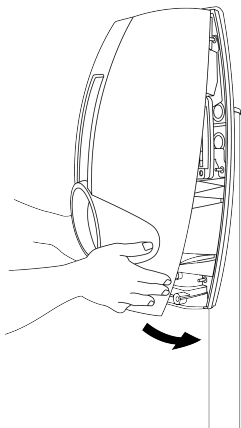
5. Connect Smart Charging network cables



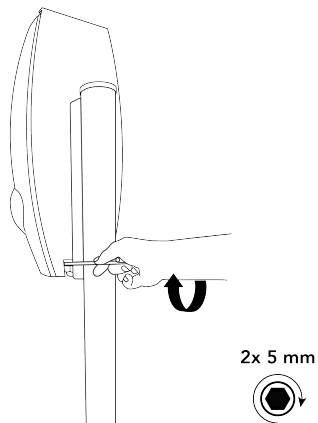
6. Install cover



2c



2d



3

