

EVBox Elvi fixed cable

Installation and user manual Part B

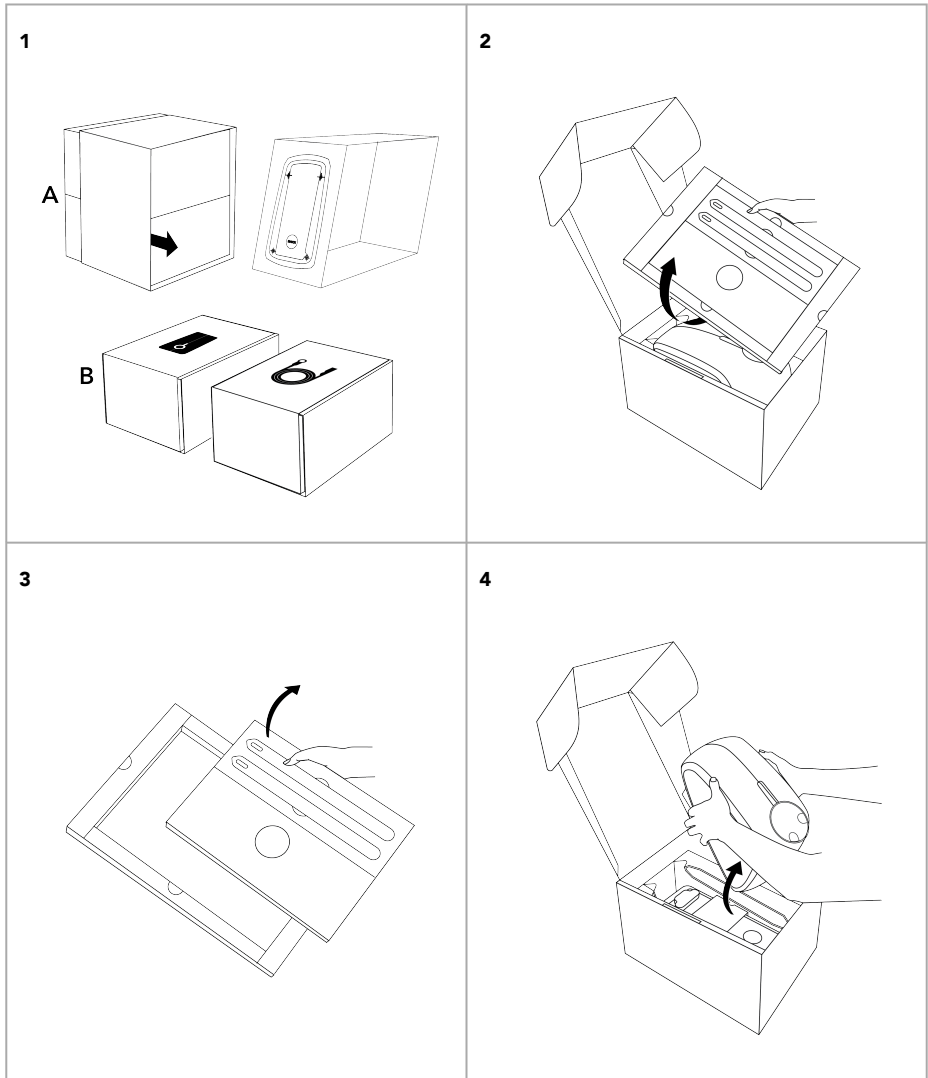
EVBox Elvi fixed cable

Installation and user manual Part B

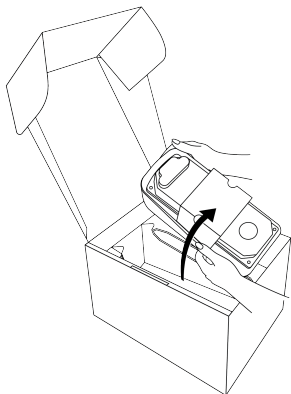
Contents

1. Unpacking	3
2. Install the wall dock	5
3. Install the charging cable	11
4. Install the station	12
5. Remove the station	14
6. Replace the charging cable	15

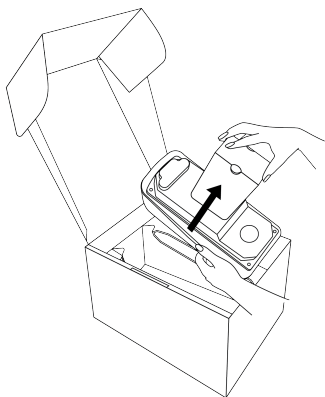
1. Unpacking



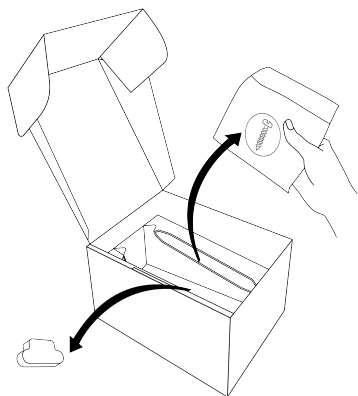
5



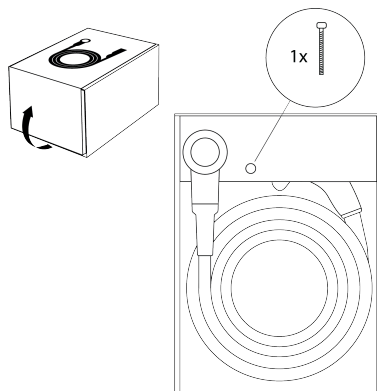
6



7

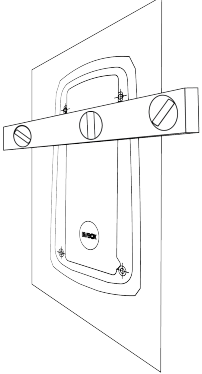
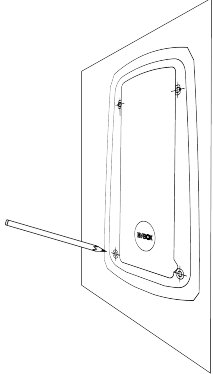
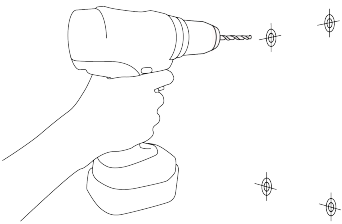
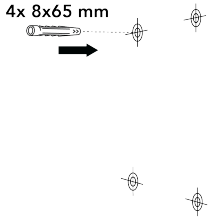


8

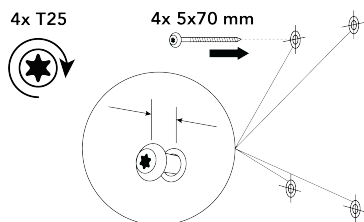


2. Install the wall dock

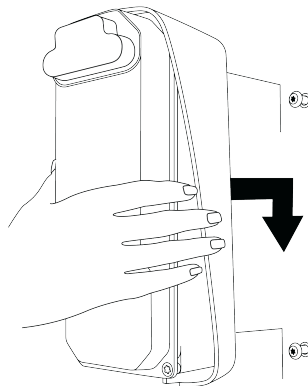


<p>1a</p> 	<p>1b</p> 
<p>1c</p> <p>4x 8x70 mm</p> 	<p>1d</p> <p>4x 8x65 mm</p> 

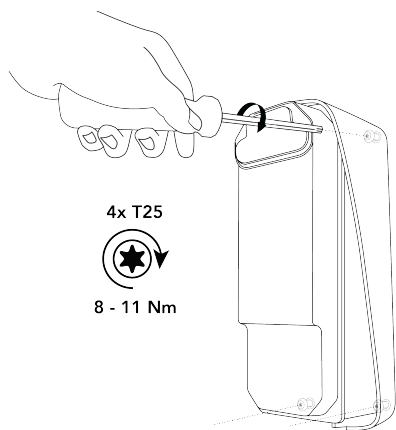
1e



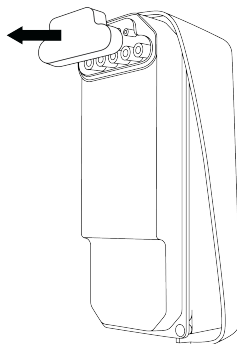
2a

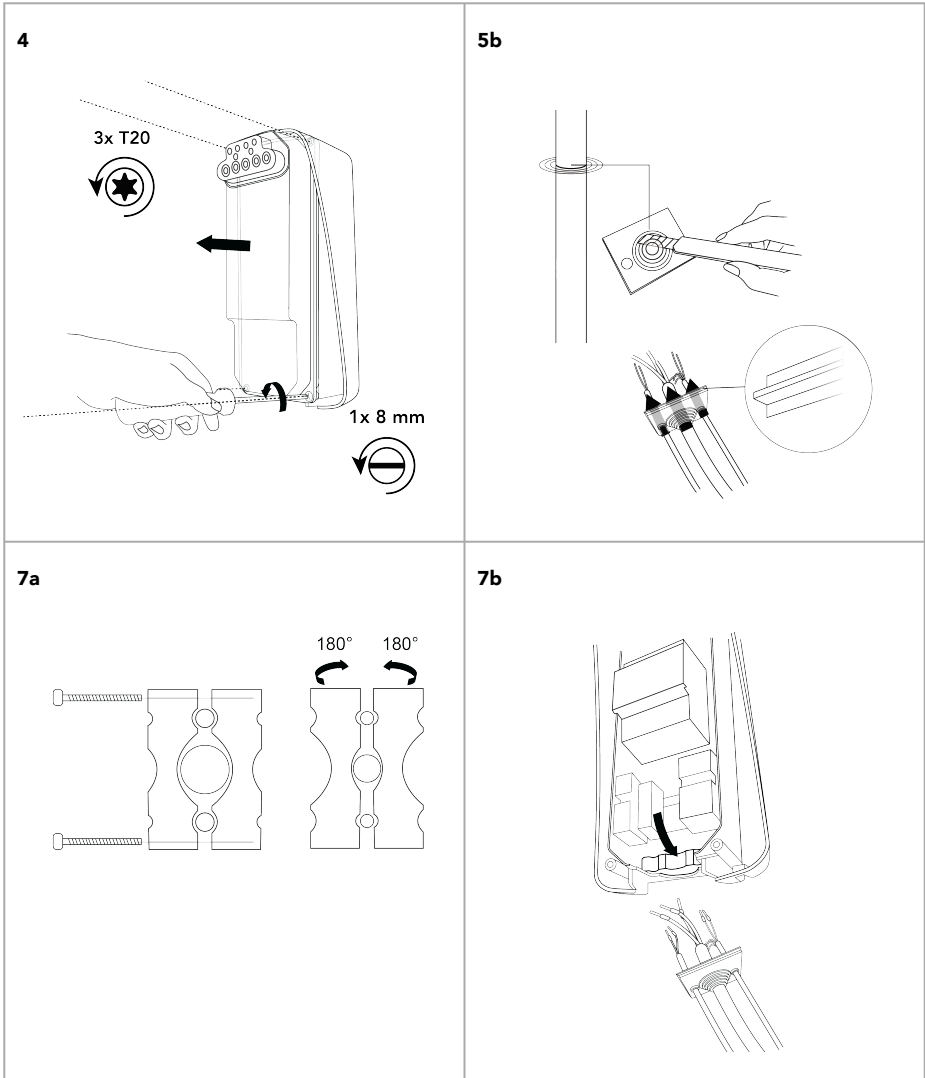


2b

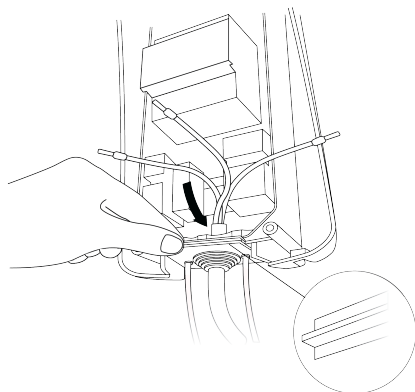


3

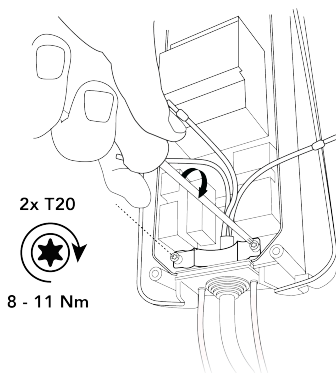




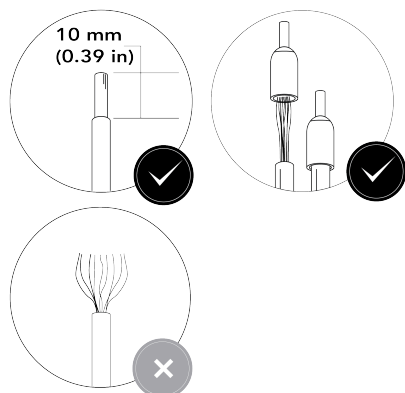
7c



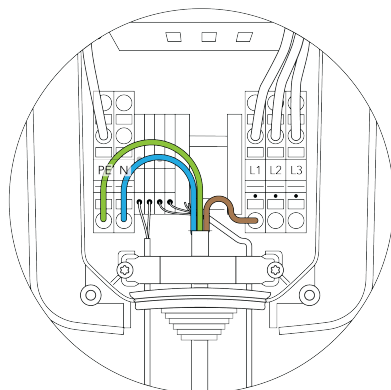
7d



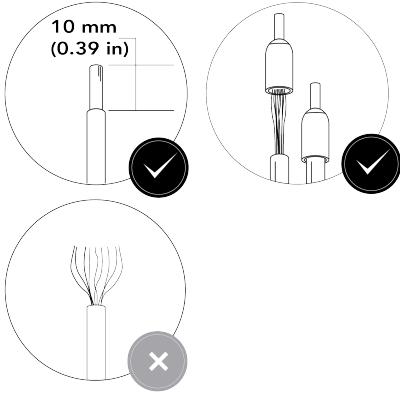
8a



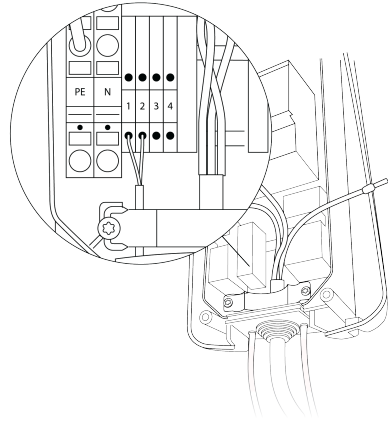
8b



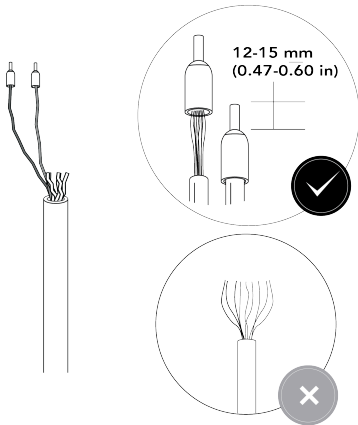
9a



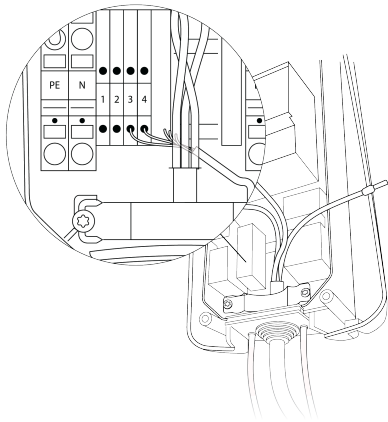
9b



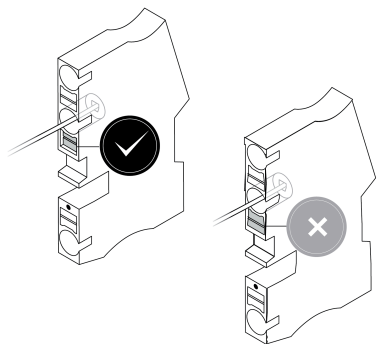
10a



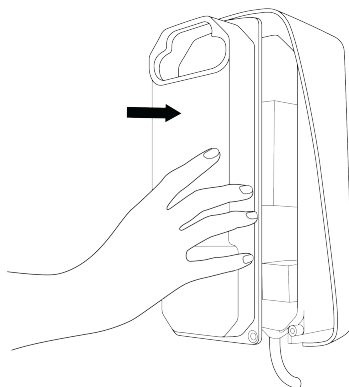
10b



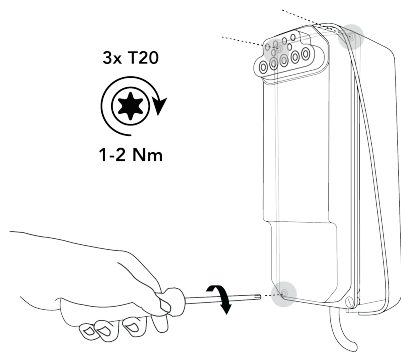
11



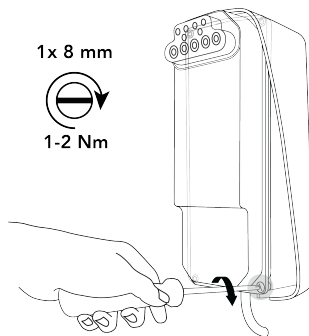
12b



12c



12d



3. Install the charging cable

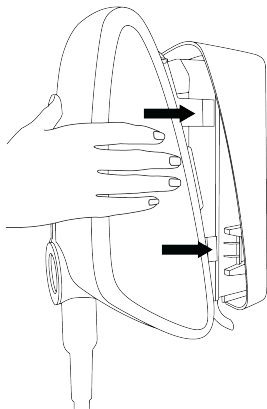


<p>1</p>	<p>2</p>
<p>3</p>	<p>5</p> <p>1x T30</p> <p>8 - 11 Nm</p>

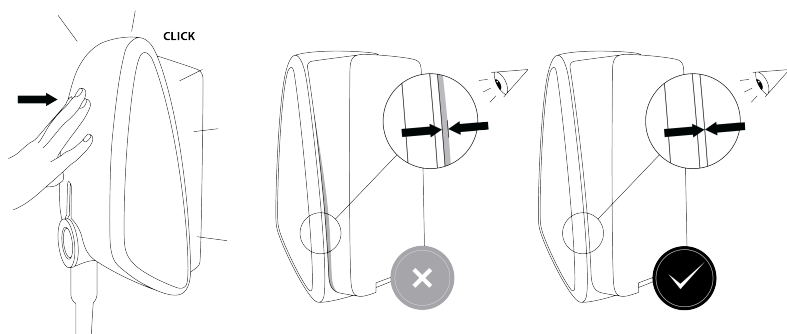
4. Install the station



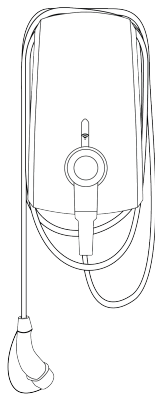
1



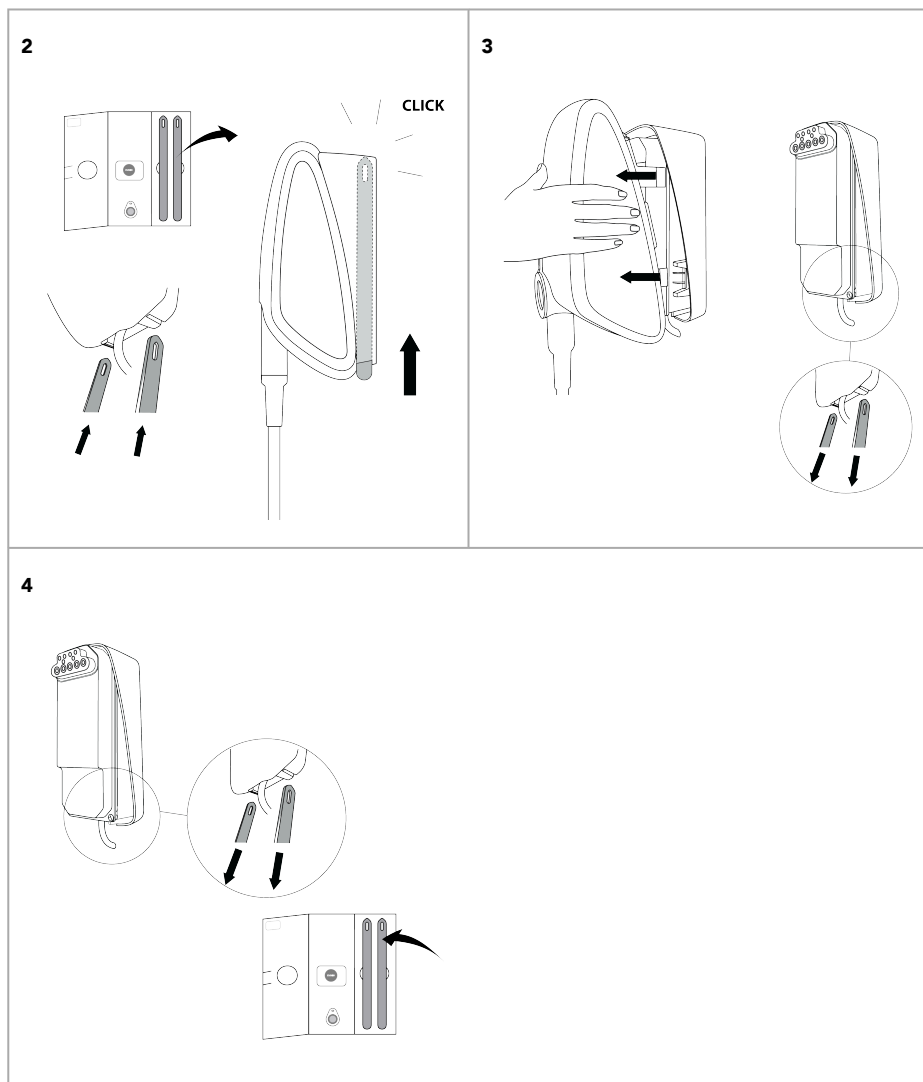
2



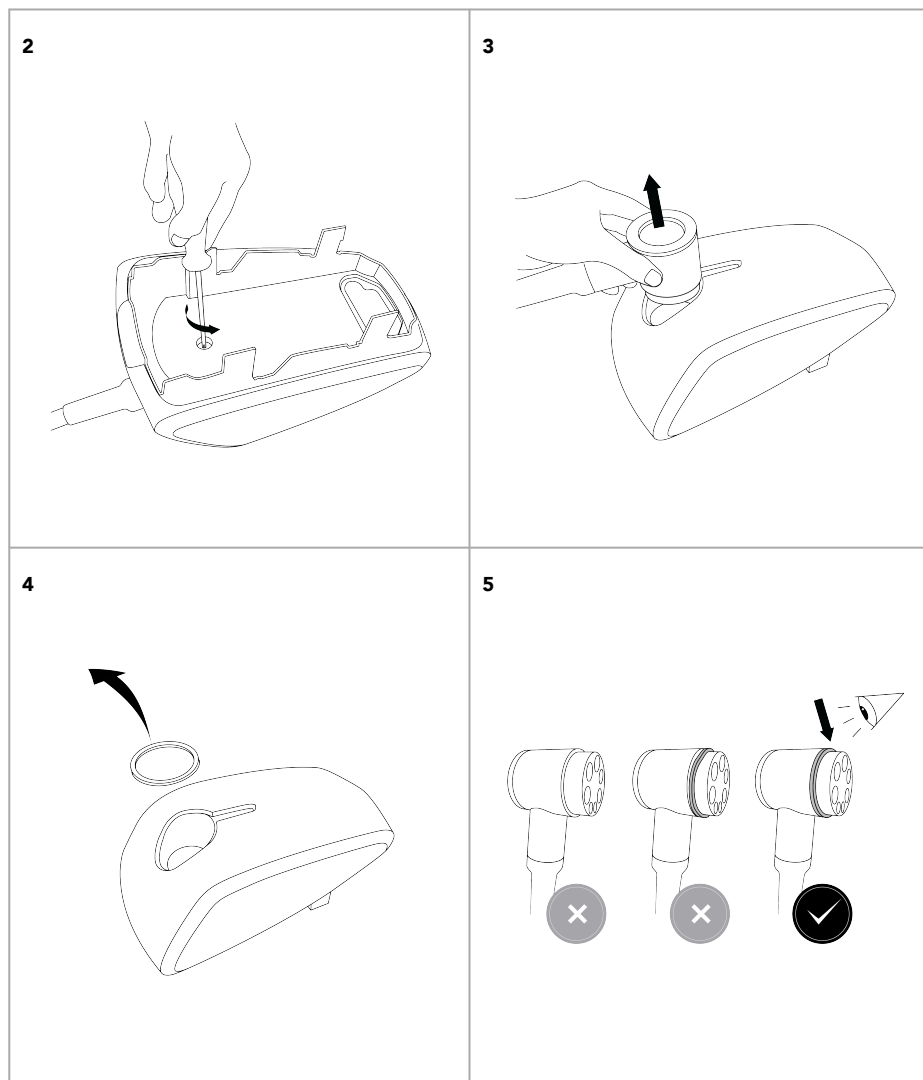
3



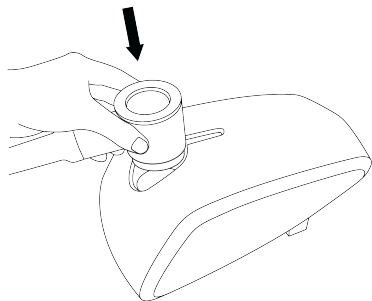
5. Remove the station



6. Replace the charging cable



6



8

