

EVBox Elvi socket

Installation and user manual Part B

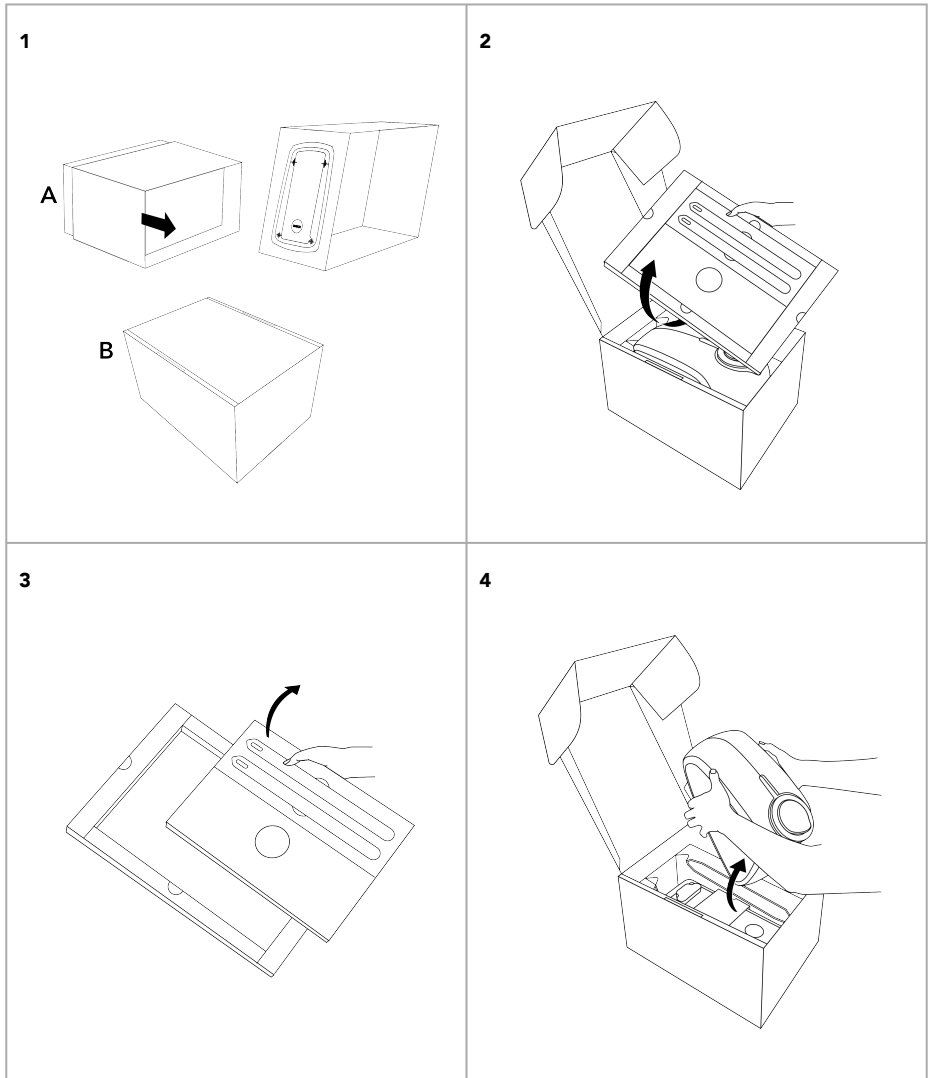
EVBox Elvi socket

Installation and user manual
Part B

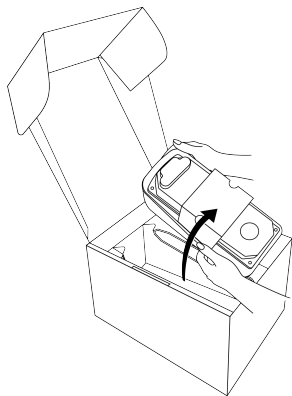
Contents

1. Unpacking	3
2. Install the wall dock	5
3. Install station	11
4. Remove the station	12

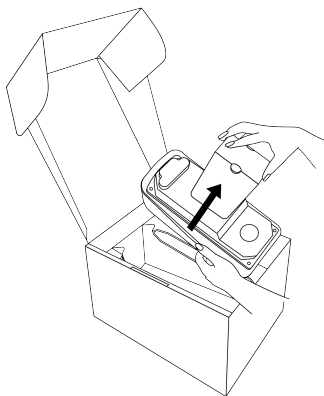
1. Unpacking



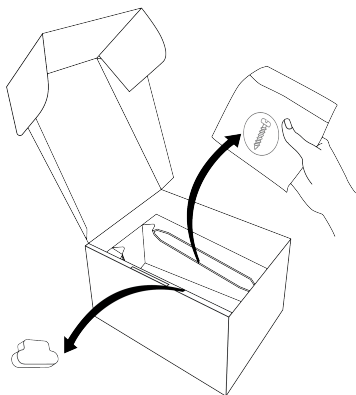
5



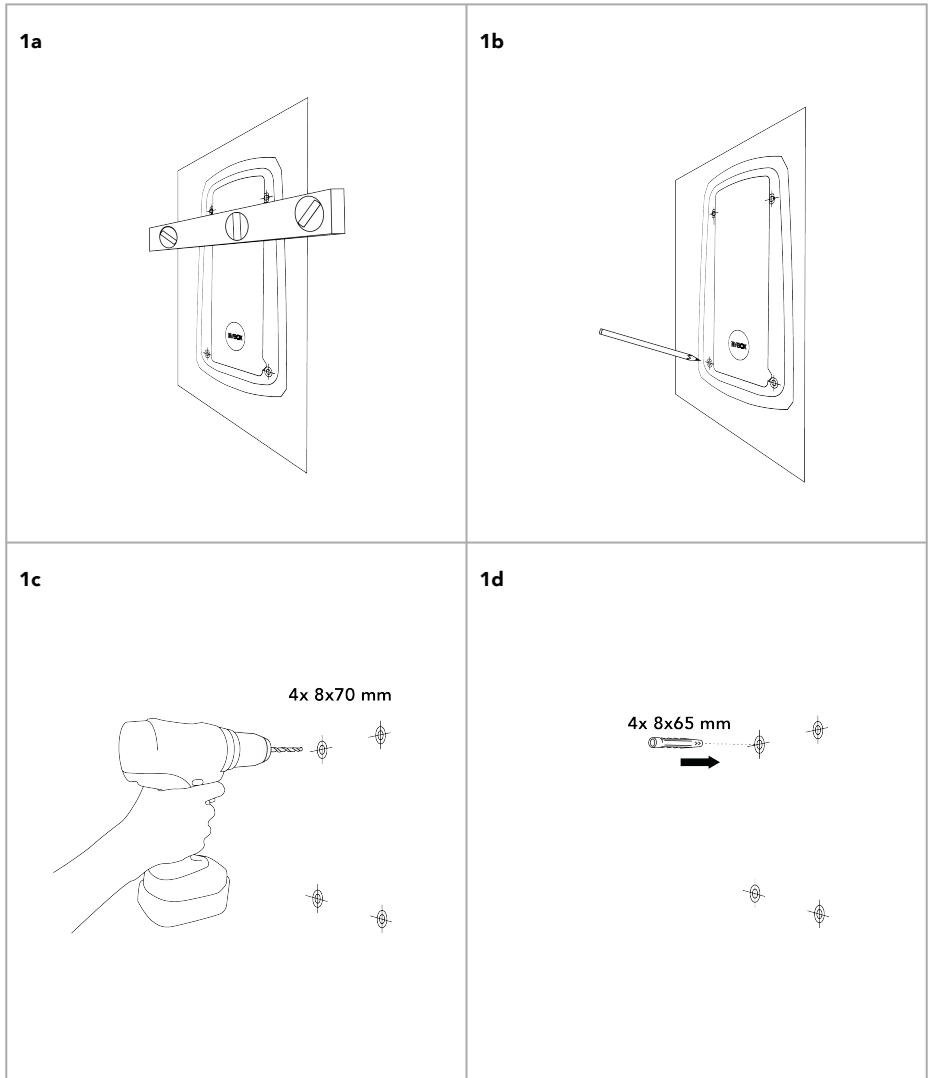
6



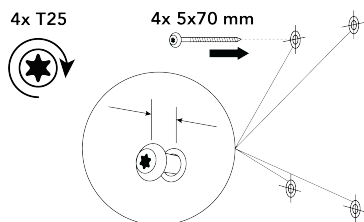
7



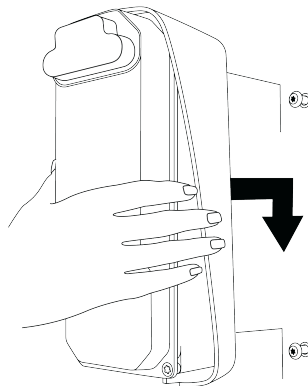
2. Install the wall dock



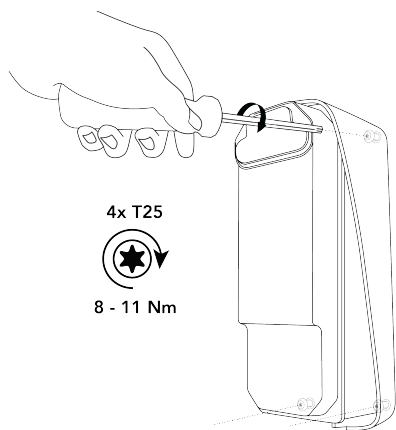
1e



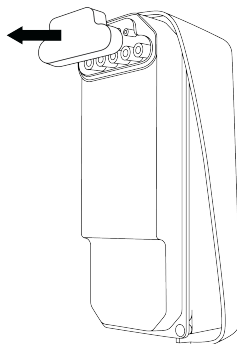
2a

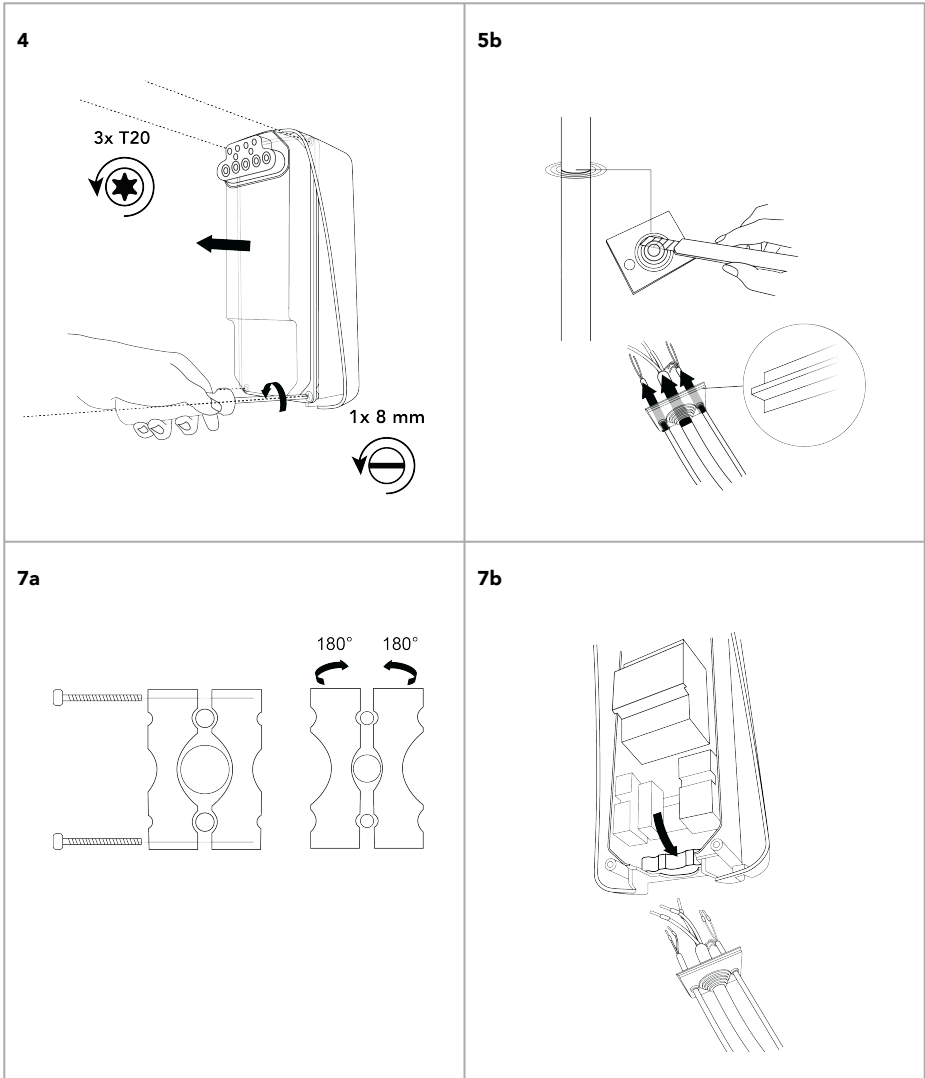


2b

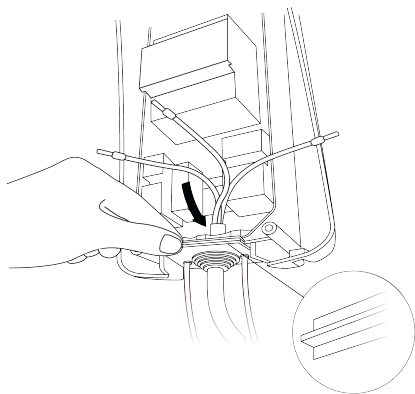


3

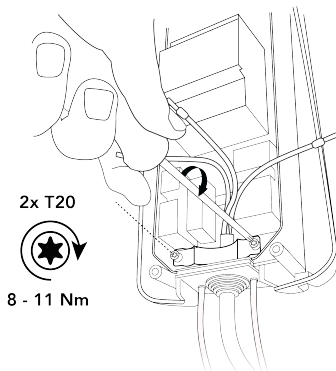




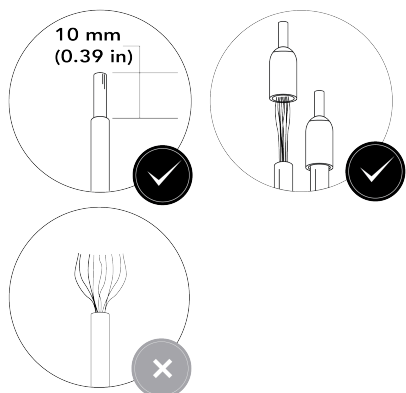
7c



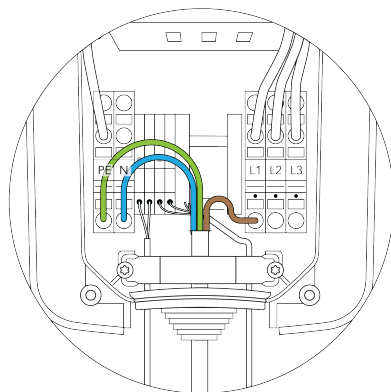
7d



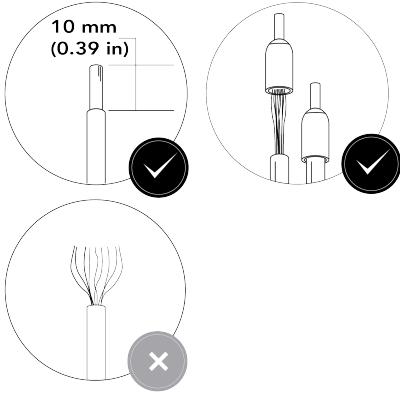
8a



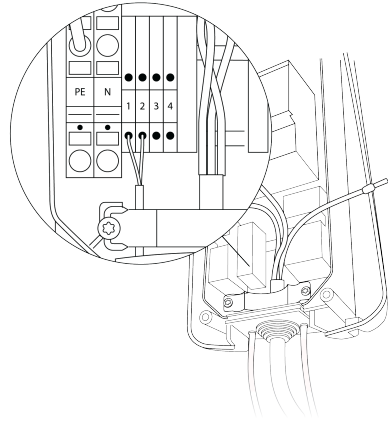
8b



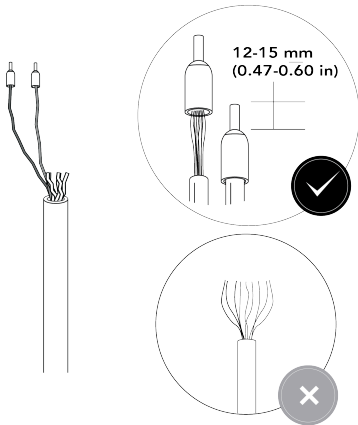
9a



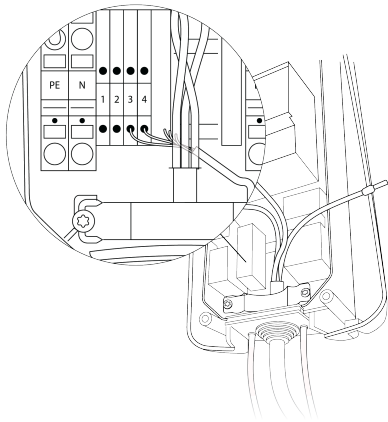
9b



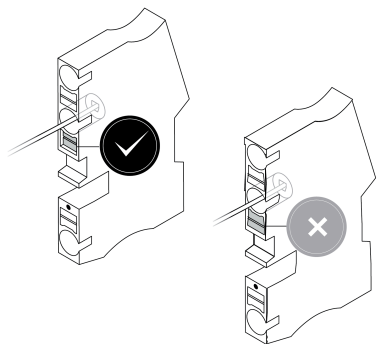
10a



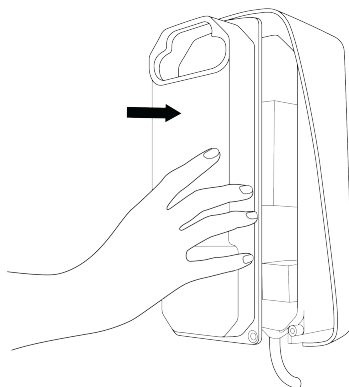
10b



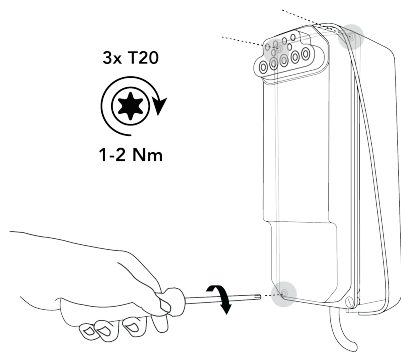
11



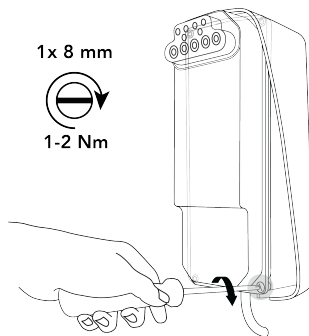
12b



12c



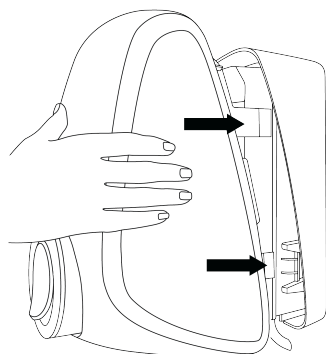
12d



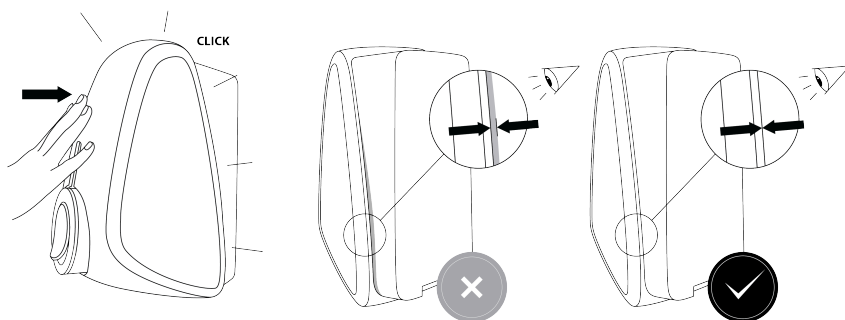
3. Install station



1



2



4. Remove the station

