

EVBox Iqon

Maintenance manual

UL version

EVBox Iqon

Maintenance manual

UL version

Contents

1. Introduction	3
1.1. Periodical servicing schedule	3
2. IMPORTANT SAFETY INSTRUCTIONS	4
2.1. INSTRUCTIONS PERTAINING TO RISK OF FIRE OR ELECTRIC SHOCK	4
2.2. GENERAL SAFETY INSTRUCTIONS	6
3. PREPARATION	8
3.1. Description	8
3.2. Tools and material	9
3.3. Prepare the work area	10
3.4. Open the charging station	10
4. MAINTENANCE INSTRUCTIONS	15
4.1. Replace the charger box and installer box assembly	15
4.1.1. Remove the charger box and installer box	15
4.1.2. Install the charger box and installer box	22
4.2. Replace a kWh meter	32
4.2.1. Remove the kWh meter	32
4.2.2. Install the kWh meter	35
4.3. Replace a Charging cable	37
4.3.1. Remove the charging cable	37
4.3.2. Install the charging cable	42
4.4. Replace a LED ring	49
4.4.1. Remove the LED ring	49
4.4.2. Install the LED ring	50
5. SERVICING INSTRUCTIONS	52
5.1. Clean the exterior	52
5.2. Clean the interior	52
5.3. Clean the charging cables	52
6. Close-up after maintenance	55
6.1. Close the charging station	55
7. Testing and commissioning	60

7.1. Commission the charging station	60
7.2. Test the charging station	60
8. Disclaimer	61

1. Introduction

This Maintenance Manual tells you how to service and maintain the charging station. You must carefully read and obey the safety information before you start.

The owner of the charging station is responsible for the condition of the charging station, whereby both the law regarding the safety of persons, animals, and property must be observed, as well as the installation regulations in force in the country of use. Have the charging station and its installation inspected by a qualified electrician on a regular basis and in compliance with installation regulations applicable in your country.

Periodical servicing is necessary to keep the charging station in a clean and safe condition. Refer to the Periodical servicing schedule below for the recommended servicing tasks and periods.

Maintenance is required when a fault has occurred. For some of the procedures in this Maintenance Manual, two persons are required.

This Maintenance Manual is only intended for use by a qualified electrician.

Symbols used in this manual



DANGER:

Indicates an imminently hazardous situation with a high risk level which, if the danger is not avoided, will cause death or serious injury.



WARNING:

Indicates a potentially hazardous situation with moderate risk level which, if the warning is not obeyed, can cause death or serious injury.



CAUTION:

Indicates a potentially hazardous situation with a medium risk level which, if the caution is not obeyed, may cause minor or moderate injury or damage to the equipment.



Note:

Notes contain helpful suggestions, or references to information not contained in this manual.

1., a. or i. Action to be followed in the stated order.

1.1. Periodical servicing schedule

The following maintenance schedule is recommended for the charging station.

Months	Clean exterior	Clean interior	Clean charging cable
1	✓*	--	--
6	✓	✓	✓

* For intensive-use locations, clean the touchscreen weekly.

2. IMPORTANT SAFETY INSTRUCTIONS

Read these instructions before you service or maintain this product. SAVE THESE INSTRUCTIONS.

**WARNING:**

When using electric products, basic precautions should always be followed, including the following:

2.1. INSTRUCTIONS PERTAINING TO RISK OF FIRE OR ELECTRIC SHOCK

**DANGER:**

Not following the installation and user instructions given in this manual will result in the risk of electric shock, which will cause severe injury or death.

- Read this manual before installing or using the charging station.
- If you are unsure about how to install or use the charging station after reading this manual, contact your reseller for more information.

**DANGER:**

Installation, servicing, repair and relocation of this charging station by a non-qualified person will result in the risk of electric shock, which will cause severe injury or death.

- Only a qualified electrician is permitted to install, service, repair and relocate the charging station.
- The user must not attempt to service or repair the charging station as it does not contain user-serviceable parts.
- Local regulations may be applicable and may vary depending on your region / country of use. The qualified electrician must always ensure that the charging station is installed according to the local regulations.

**DANGER:**

Working on electric installations without proper precautions will result in the risk of electric shock, which will cause severe injury or death.

- Switch off input power before installing the charging station.
- Do not switch on the charging station if it is not fully installed or not secure.
- Do not install a charging station that is faulty or has a noticeable issue.

**DANGER:**

Operating the charging station when it indicates an error state, or when the charging station or the charging cable have cracks, show extensive wear, or other physical damage, will result in the risk of electric shock, which will cause severe injury or death.

- Do not operate the charging station if the enclosure or an EV connector is broken, cracked, open, or shows any other indication of damage.
- Do not operate the charging station if a charging cable is frayed, has broken insulation, or shows any other indication of damage.
- In the event of danger and/or an accident, a qualified electrician must immediately disconnect the electrical supply from the charging station.
- Contact your installer if you suspect that the charging station is damaged.

**DANGER:**

Some electric vehicles release hazardous or explosive gasses when charging which will result in the risk of explosion, which will cause severe injury or death.

- Refer to your vehicle user manual to check if your vehicle releases hazardous or explosive gasses when charging.
- Follow the instructions given in the vehicle user manual before choosing the location of the charging station.

**DANGER:**

Extensive exposure of the charging station to water or handling the charging station with wet hands will result in the risk of electric shock, which will cause severe injury or death.

- Do not direct powerful jets of water toward or onto the charging station.
- Never operate the charging station with wet hands.
- Do not put the charging plug into any liquid.

**DANGER:**

Service replaceable fuses:

- Disconnect power at the power supply cabinet before replacing the fuse.

**WARNING:**

Installing the charging station during wet environmental conditions (for example rain or fog) can result in the risk of electric shock and damage to the product, which can cause severe injuries or death.

- Do not install or open the charging station during wet environmental conditions (for example rain or fog).

**WARNING:**

Using a damaged charging station or a damaged charging cable may expose the user to electric components and result in the risk of electric shock, which may cause injury or death.

- Make sure that the charging station, the charging cable, and the charging plug are free of damage before starting a charging session.
- Make sure that the contact area of the charging plug is free from dirt and moisture before starting a charging session.
- Make sure that the charging cable is positioned so that it will not be stepped on, tripped over, driven over or otherwise subjected to excessive force or damage. Where applicable, make sure that the charging cable is correctly stowed when it is not in use, making sure that the charging plug does not touch the ground.
- Only pull on the charging plug hand grip and never on the charging cable itself.
- Keep the charge plug away from heat sources, dirt or water.

**WARNING:**

Using adapters, conversion adapters or cord extensions with the charging station may result in technical incompatibilities and can result in damage to the charging station, which will cause injury or death.

- Use this charging station to charge compatible electric vehicles only. Refer to the charging

- station specifications in the charging station installation manual for details.
- Refer to your vehicle user manual to check if your vehicle is compatible.

**WARNING:**

Exposure of the charging station or the charging cable to heat or flammable substances can result in damage to the charging station, which will cause injury or death.

- Make sure that the charging station or the charging cable never come into contact with heat.
- Do not use explosive or readily flammable substances near the charging station.

**WARNING:**

Using the charging station under conditions not specified in this manual may result in damage to the charging station, which may cause injury or death.

- Only use the charging station under the specified operating conditions in this manual.

2.2. GENERAL SAFETY INSTRUCTIONS

**WARNING:**

Improper use of a step ladder may cause injury or death. Obey the manufacturer's instructions when using a step ladder.

**WARNING:**

Risk of injury when working on a charging station. Use personal protective equipment such as eye protection, cut-resistant gloves and non-slip safety shoes to prevent personal injuries.

**CAUTION:**

Charging a vehicle with the charging cable not completely unwound may result in overheating of the cable, which can damage the charging station.

- Before you charge the vehicle make sure that the charging cable is completely unwound and has no overlapping loops.

**CAUTION:**

Putting fingers into or leaving other objects inside the plug port (for example, during cleaning) may cause injury or can damage the charging station.

- Do not put your fingers into the plug port.
- Do not leave objects inside the plug port.

**CAUTION:**

The use of devices with (electro) magnetic properties in the vicinity of the charging station may damage the charging station and affect its operation.

- Keep and use (electro) magnetic devices at a safe distance from the charging station.

**CAUTION:**

Not taking precautions against ESD (Electrostatic discharge) can damage electronic components in the charging station.

- Take the necessary precautions against ESD before touching electronic components.

**CAUTION:**

Improper usage of the charging station may result in damage to the charging station, which may cause injury or death.

- Read and understand this manual before installing or using the charging station.
- Do not allow children to operate the charging station. Adult supervision is required when children are near a charging station that is in use.
- Do not put fingers into the electric vehicle connector.

**CAUTION:**

To reduce the risk of fire, connect only to a circuit provided with 40 amperes maximum branch circuit overcurrent protection in accordance with the ANSI/NFPA 70 National Electrical Code and/or CSA C22.1 - 15 Canadian Electrical Code, Part 1.

**CAUTION:**

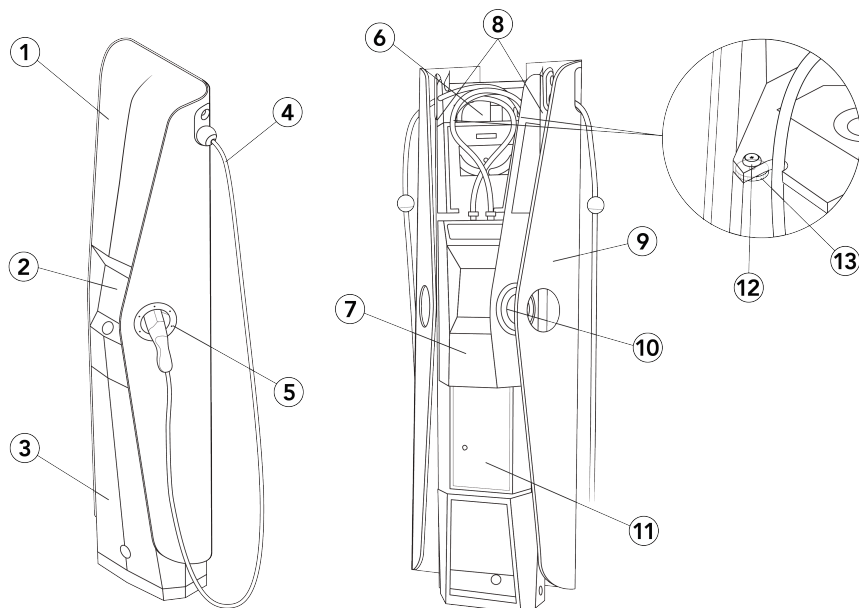
This product must be connected to a grounded, metal, permanent wiring system, or an equipment-grounding conductor must be run with the circuit conductors and connected to the equipment grounding terminal on the product.

**CAUTION:**

Use 8 AWG copper wire rated at 75°C (167°F) only.

3. PREPARATION

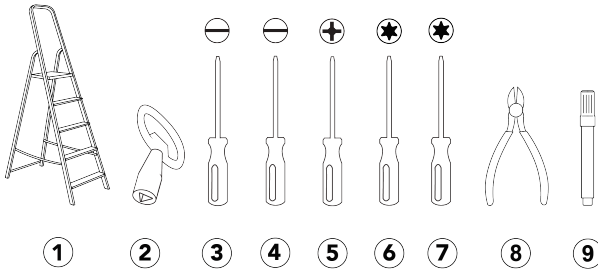
3.1. Description



- | | |
|--------------------------------------|--------------------------------------|
| 1. Top cover. | 8. Lifting eyes. |
| 2. Display. | 9. Side panel. |
| 3. Bottom cover. | 10. Holder for charging cable plug. |
| 4. Charging cable. | 11. Installer box. |
| 5. LED ring. | 12. Spare part: Torx T25 screw (2x). |
| 6. Charging cable locking mechanism. | 13. Spare part: Thumbnut (2x). |
| 7. Charger box. | |

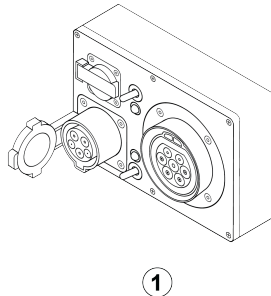
3.2. Tools and material

Tools - required



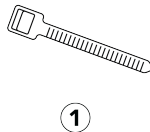
1. Step ladder. (Required when replacing a charging cable.)
2. Iqon key to open covers.
3. Screwdriver, flat blade, 4 mm.
4. Screwdriver, flat blade, 8 mm.
5. Screwdriver, PH2.
6. Screwdriver, Torx T20.
7. Screwdriver, Torx T25.
8. Wire cutter.
9. Marker pen, black indelible ink.

Tools - optional



1. EVBox Dual Socket Test Box, article number 462323 (or equivalent electrical vehicle test box CCS1).

Materials - locally-sourced



1. Cable ties, UL-approved (US only), various sizes.

3.3. Prepare the work area

**DANGER:**

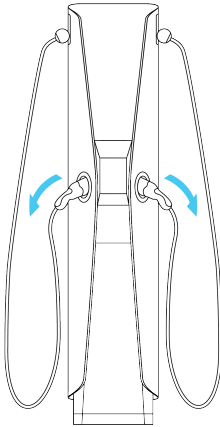
Working on electric installations without proper precautions will result in the risk of electric shock, which will cause severe injury or death.

- Read and obey the safety precautions at the beginning of this manual before you install, repair, service or use this charging station.
- Switch off all power at the power supply cabinet. Secure the power supply cabinet and put up warning signs to prevent accidental supply of power.

1. In the power supply cabinet, switch off the power supply to the charging station.
2. Secure the power supply cabinet and put up warning signs to prevent accidental supply of power.
3. Make sure that unauthorized persons cannot access the work area.

3.4. Open the charging station

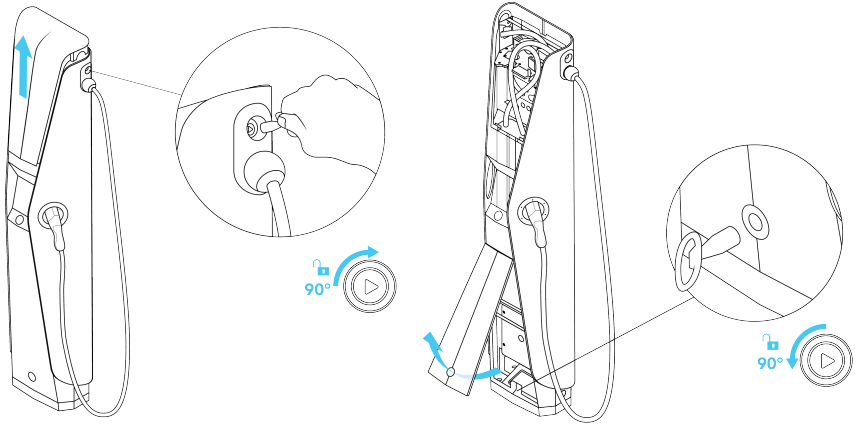
1. Prepare the work area (see [Prepare the work area on page 10](#)).
2. Place a protective mat on the ground to protect the charging cables and plugs from damage.
3. Take out the charging cable plugs from the holders and place them on the protective mat.



3. PREPARATION

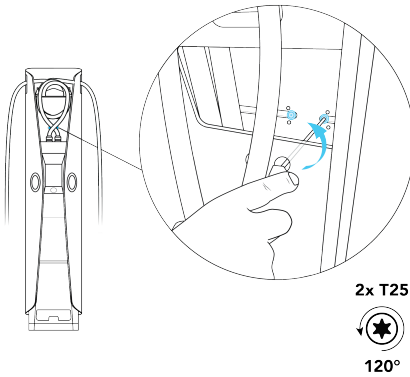
EN

4. Unlock the top and bottom covers using the key, then remove the covers. Put the covers front side up in a place where they will not be damaged.

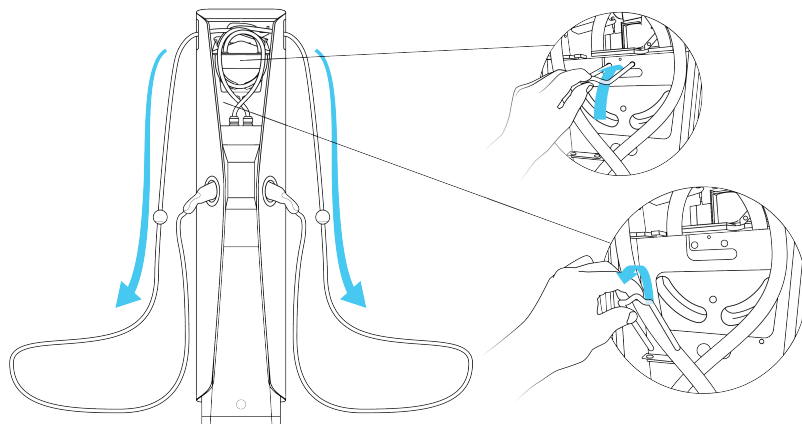


5. Open the side covers as follows:

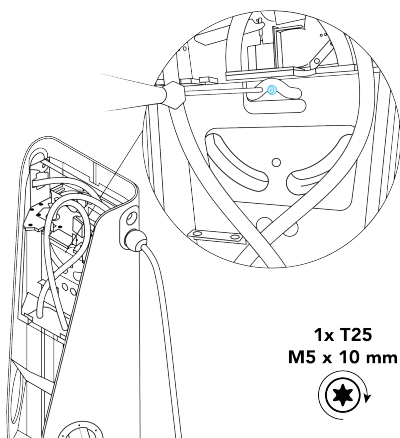
- a. Loosen two Torx screws that secure the side panels at the top.



- b. Fully extend the charging cables and insert the safety pin.



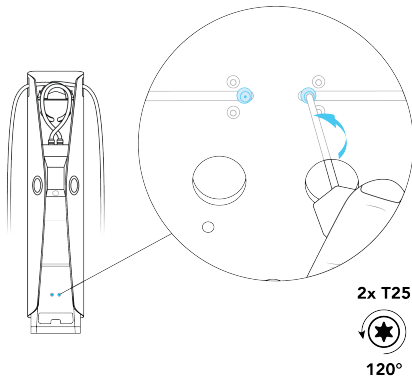
- c. Install a flanged Torx T25 M5 x 10 mm screw to secure the safety pin.



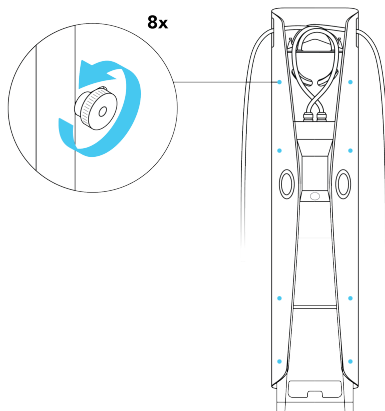
3. PREPARATION

EN

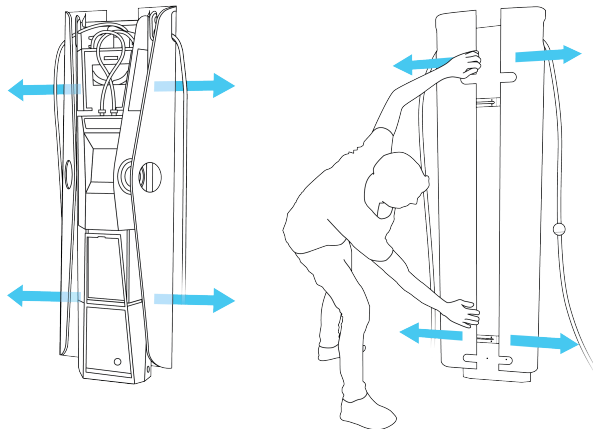
- d. Loosen two Torx screws that secure the side panels at the bottom.



- e. Remove the eight thumbnuts.



f. Carefully slide open each side panel.



4. MAINTENANCE INSTRUCTIONS



DANGER:

Working on electric installations without proper precautions will result in the risk of electric shock, which will cause severe injury or death.

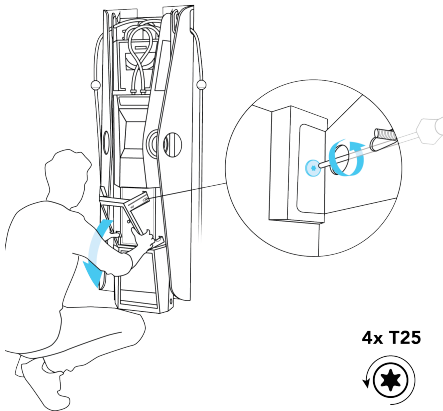
- Switch off input power before working on the charging station.
- Do not supply power to the charging station if it is not fully complete or not secure, unless specified in the maintenance instructions.
- Do not use a charging station that is faulty or has a noticeable issue.

4.1. Replace the charger box and installer box assembly

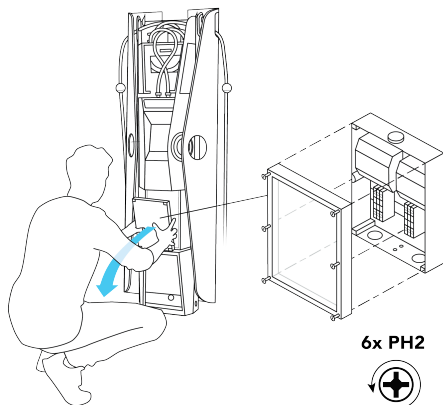
The charger box and installer box are removed as one assembly. After the replacement of the charger box, the charging station must be re-registered at the Charging Point Operator (CPO).

4.1.1. Remove the charger box and installer box

1. Prepare the work area (see [Prepare the work area on page 10](#)) then open the charging station (see [Open the charging station on page 10](#)).
2. Disconnect the power and RS485 wires:
 - a. Remove four Torx screws and the frame from the installer box.



- b. Loosen six Phillips PH2 screws and remove the installer box cover.



- c. Disconnect the power wires from the terminal blocks.

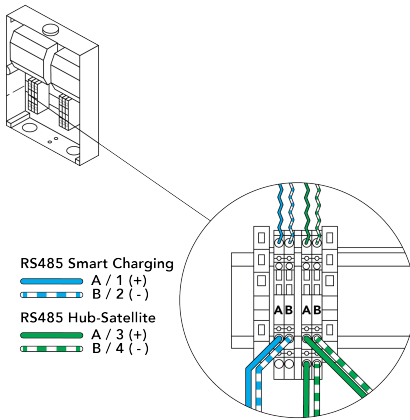


- d. Disconnect the RS485 wires from the terminal blocks.

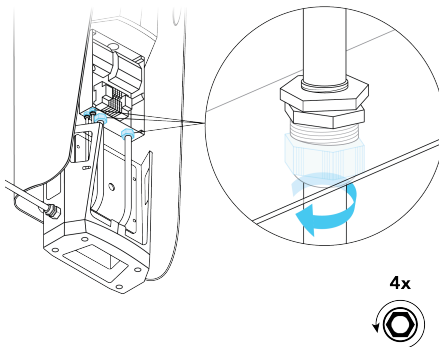
**Note:**

Carefully record which RS485 wiring connects to the charging station. The RS485 wiring depends on the configuration:

- The Smart Charging connection is optional, and is only found on the Hub station.
- The Hub-Satellite connection is optional and is only used on a Hub-Satellite installation.
- The Hub charging station and the final Satellite charging station will only have a single Hub-Satellite connection.
- The final Satellite charging station may also have a 120 Ω resistor at the Hub-Satellite connection.

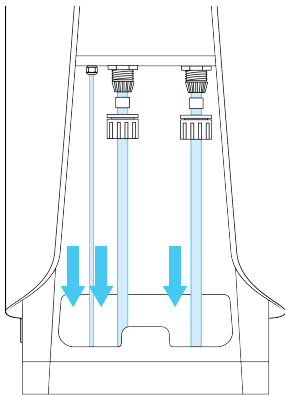


- e. Unscrew the two conduit fittings and two glands on the bottom of the installer box.



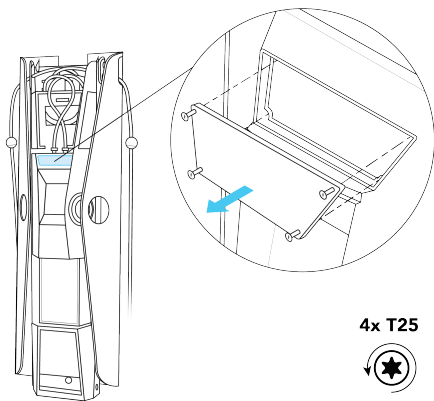
- f. Pull the power cables and the RS485 cables from the installer box. Remove and keep the nuts

and rubber seals from the conduit fittings and cable glands.



3. Disconnect the charging cables:

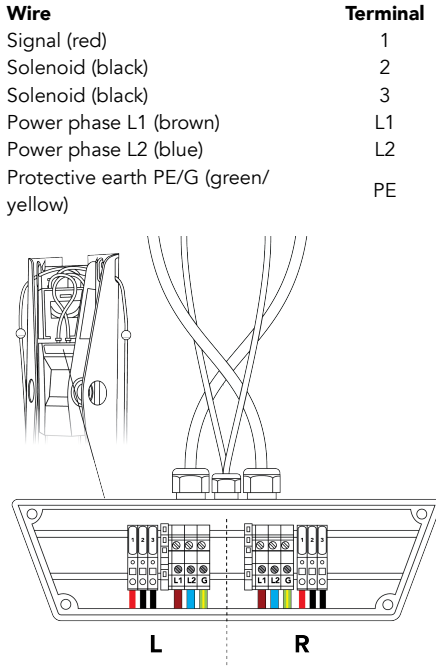
- a. Remove four Torx T25 screws and the service hatch from the charger box.



- b. Disconnect the following two sets of wires from the charger box:

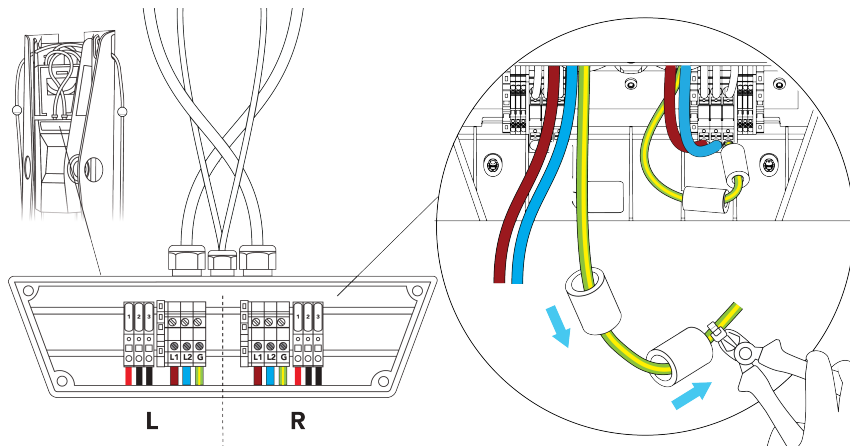
**Note:**

The terminals on the left are for the left charging cable and brake solenoid. The terminals on the right are for the right charging cable and brake solenoid.

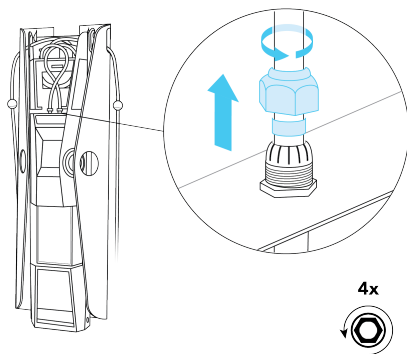


L = Left, R = Right

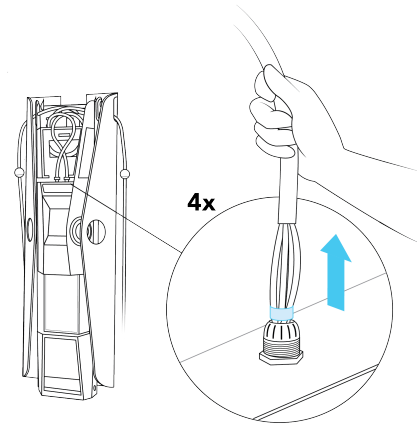
- c. Cut and discard four cable ties that secure two ferrite beads to each PE/G wire. Remove and keep two ferrite beads from each PE/G wire.



- d. Unscrew the four cable glands.

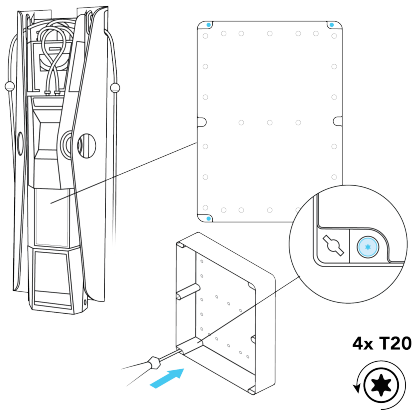


- e. Pull the two charging cables and two solenoid cables through the four cable glands. Remove and keep the nuts and rubber seals from the cable glands.



4. Remove the installer box and charger box:

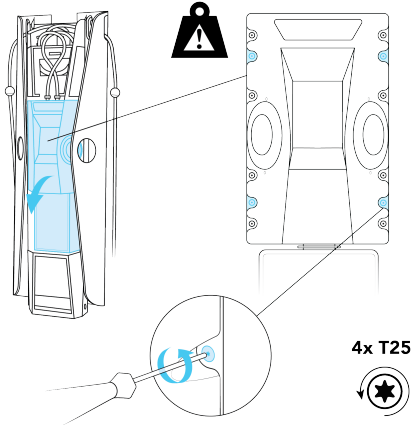
- a. Remove four Torx screws that secure the installer box to the charging station.



- b. Hold the charger box in place, then remove four Torx screws that secure the charger box to the charging station.

Remove the charger box and the installer box as one assembly from the charging station.

CAUTION:
The charger box and installer box assembly weighs approximately 9.3 kg.

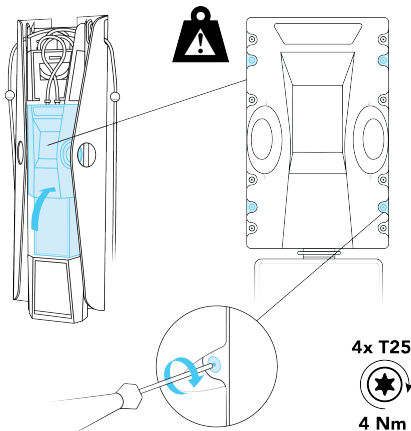


5. Return the charger box and installer box assembly to the charging station distributor.

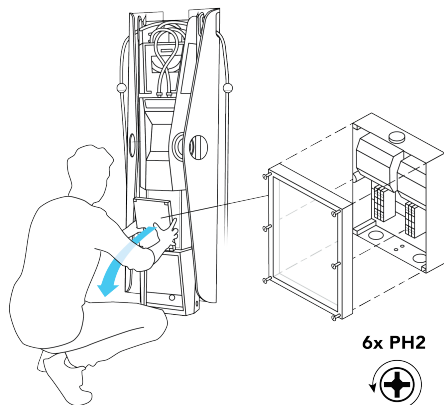
4.1.2. Install the charger box and installer box

1. Install the installer box and charger box:
 - a. Hold the charger box and installer box assembly on the back plate of the charging station and align the screw holes. Secure the charger box with four Torx screws.

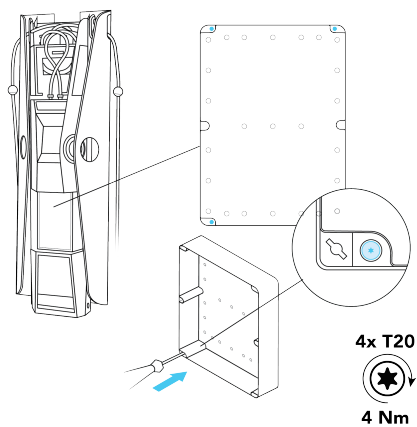
CAUTION:
The charger box and installer box assembly weighs 9.3 kg.



- b. Loosen six Phillips PH2 screws and remove the installer box cover.

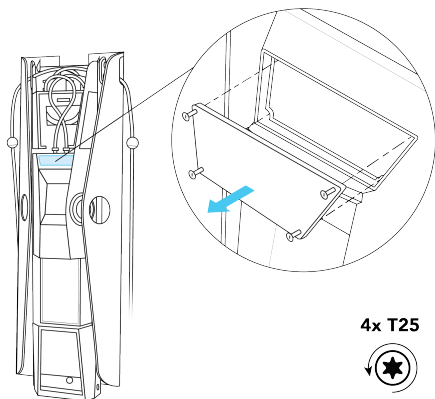


- c. Secure the installer box with four Torx screws.

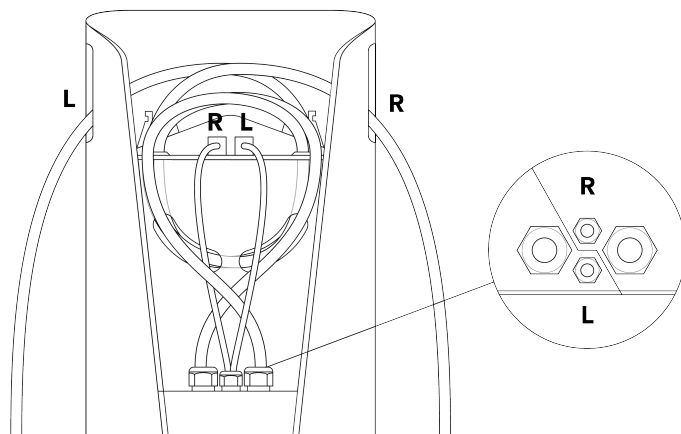


2. Connect the charging cables:

- a. Remove four Torx T25 screws and the service hatch from the charger box.

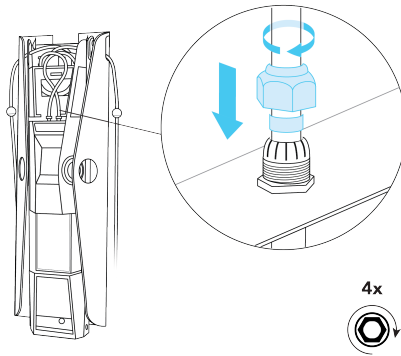


- b. Install the cable gland nuts and rubber seals on the solenoid cables and charging cables. Guide the cables through the four cable glands. Make sure that the cables use the correct glands and that the cable routing is correct.



L = Left, R = Right

- c. Tighten the four cable glands.

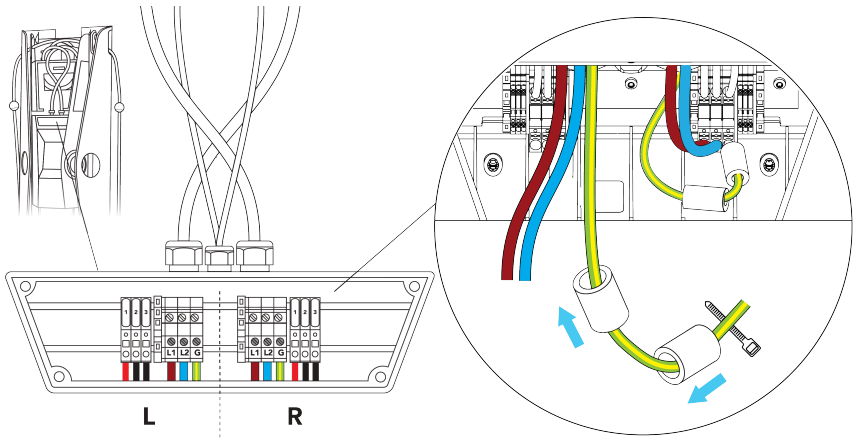


- d. Install two ferrite beads on each PE/G wire and secure them in position using a UL-approved cable tie.



Note:

Position the ferrite beads on the PE/G wire so the wire will fit in the charger box without touching the ferrite beads on the other PE/G wire.

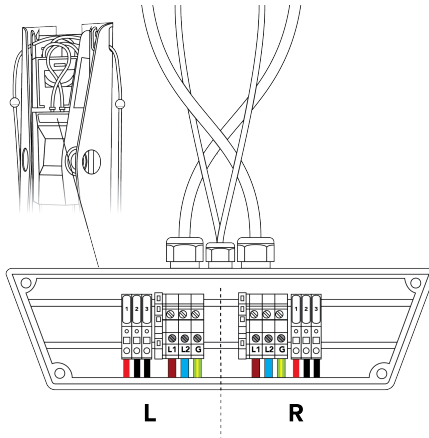


- e. In the charger box, route the cables to their applicable terminals. Connect the following two sets of wires to the charger box:

**Note:**

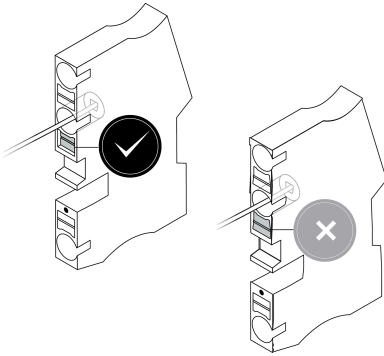
The terminals on the left are for the left charging cable and front brake solenoid. The terminals on the right are for the right charging cable and rear brake solenoid.

Wire	Terminal
Signal (red)	1
Solenoid (black)	2
Solenoid (black)	3
Power phase L1 (brown)	L1
Power phase L2 (blue)	L2
Protective earth PE/G (green/ yellow)	PE

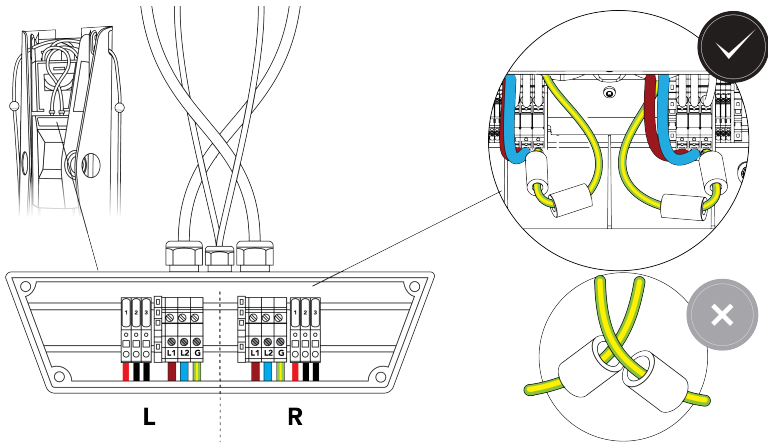


L = Left, R = Right

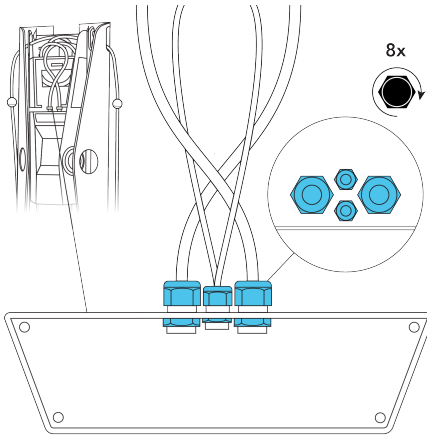
- f. Pull on each wire to make sure it is correctly connected. The indicators on the terminal blocks must be in the locked position.



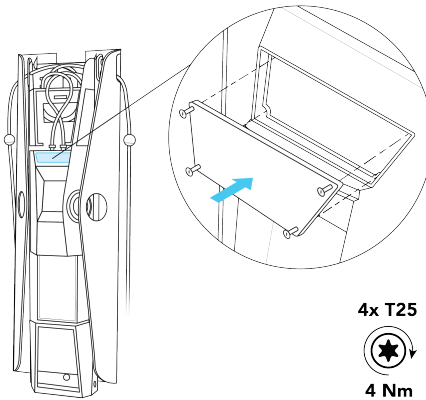
- g. Make sure that the ferrite beads on one PE/G wire do not touch the ferrite beads on the other PE/G wire.



- h. To ensure the station IP rating and the security of cables, make sure that the cable glands on the top of the charger box are tight:
- Check the four cable gland sealing nuts on the outside of the charger box.
 - Check the four cable gland lock nuts on the inside of the charger box.

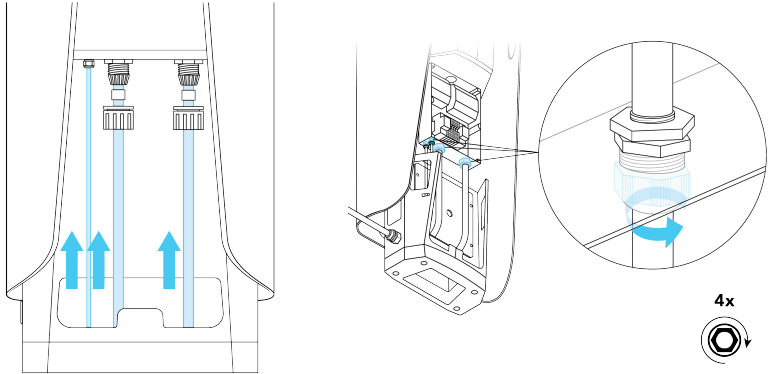


- i. Install the service hatch with four Torx T25 screws.



3. Connect the power and RS485 wires:

- a. Feed the power cables and RS485 cables through the conduit fittings into the installer box.

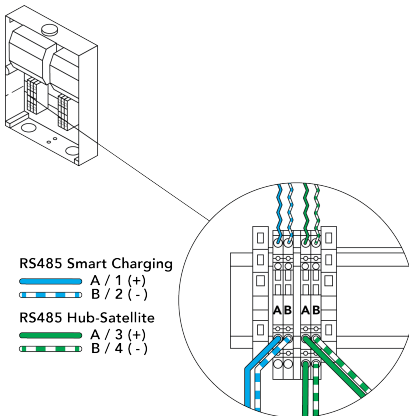


- b. Push the ferrules on the RS485 network cable wires fully into the terminal blocks.

**Note:**

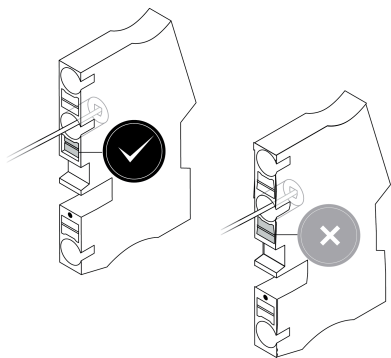
Connect the RS485 wiring in the same configuration that you recorded during removal. The RS485 wiring depends on the configuration:

- The Smart Charging connection is optional, and is only found on the Hub station.
- The Hub-Satellite connection is optional and is only used on a Hub-Satellite installation.
- The Hub charging station and the final Satellite charging station will only have a single Hub-Satellite connection.
- The final Satellite charging station may also have a 120 Ω resistor at the Hub-Satellite connection.

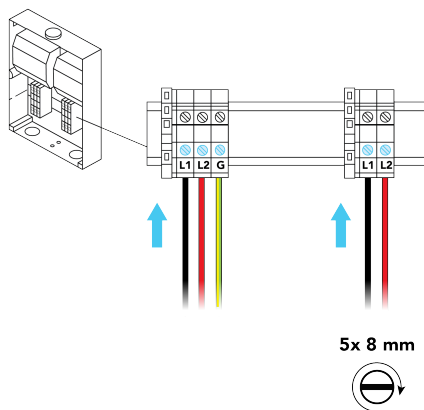


- c. Pull on each wire to make sure it is correctly connected. The indicators on the terminal blocks

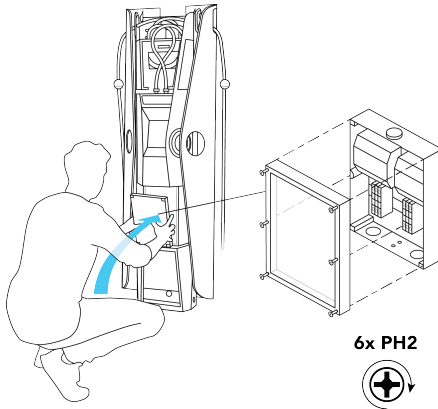
must be in the locked position.



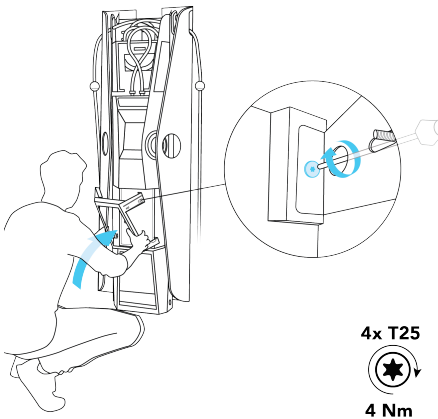
d. Connect the power wires to the terminal blocks and tighten the screws.



- e. Install the installer box cover then tighten the six screws.



- f. Install the installer box frame using four Torx screws.



4. Apply the new charging station stickers as follows:



Note:

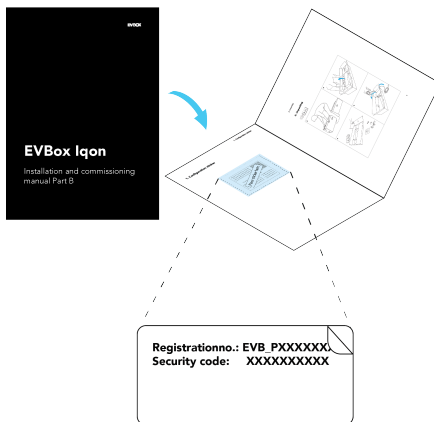
The new charger box has a unique registration number. This number is on a sticker that needs to be added to the charging station. The number is required to register the charging station at the Charge Point Operator (CPO). For later reference, the new registration number and security code sticker must also be placed in the Installation and commissioning manual Part B that was supplied with each charging station.

- a. Clean the area on the bottom right side of the charging station where the sticker will be placed.

**CAUTION:**

Do not use aggressive chemical cleaners or solvents.

- b. Place the sticker on the right side of the charging station.
- c. On the existing sticker on the left side of the charging station, use a black indelible marker to hide the old EVB-P registration number.
- d. In the Installation and commissioning manual Part B that was delivered with the charging station, place the new configuration sticker on top of the existing configuration sticker.



5. Close the charging station (see [Close-up after maintenance on page 55](#)).
6. Re-register the charging station at the charging point operator (see [Commission the charging station on page 60](#)).
7. Test the charging station (see [Test the charging station on page 60](#)).

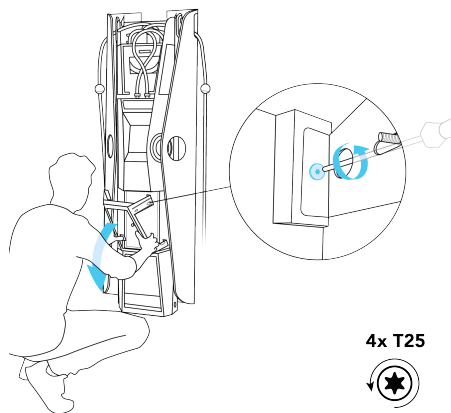
4.2. Replace a kWh meter

Two kWh meters are installed. The procedure is the same for each kWh meter.

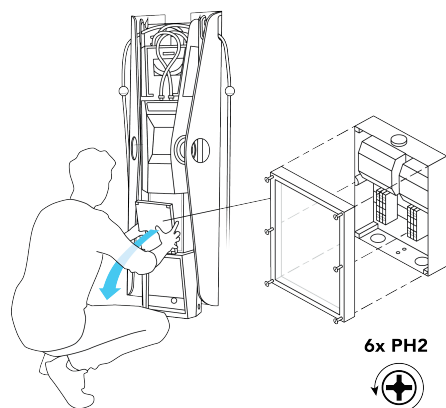
4.2.1. Remove the kWh meter

1. Prepare the work area (see [Prepare the work area on page 10](#)) then open the charging station (see [Open the charging station on page 10](#)).

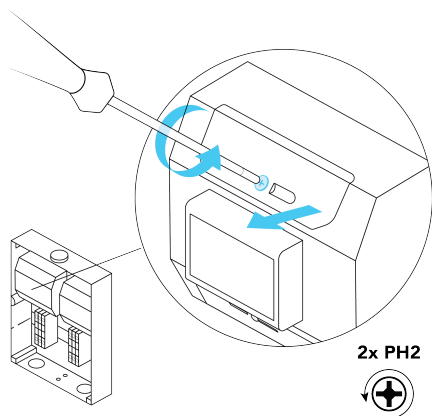
2. Remove four Torx screws and the frame from the installer box.



3. Remove six Torx PH2 screws and the installer box cover.



4. Loosen the screws that secure the two terminal covers to the kWh meter, then remove the terminal covers.



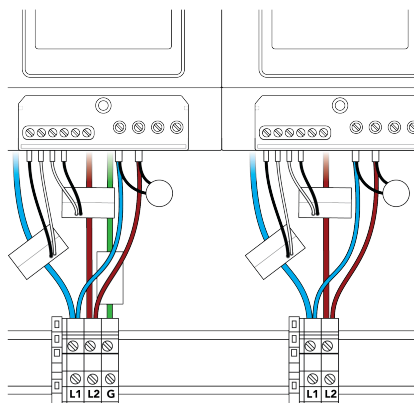
5. Disconnect the following wires from the kWh meter:

Wire	Terminal
Signal (solid color)	16
Signal (white/color)	17
Current transformer (CT) 1 (white)	1
Current transformer (CT) 1 (black)	2
Current transformer (CT) 2 (white)	3
Current transformer (CT) 2 (black)	4
Power phase L1	7
Power phase L2	8

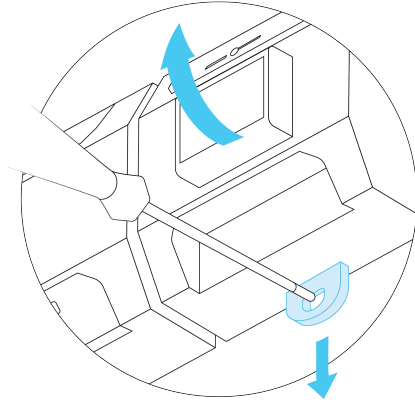


Note:

The varistor is crimped to the power phase L1 and L2 wires. Do not disconnect the varistor from the wires.

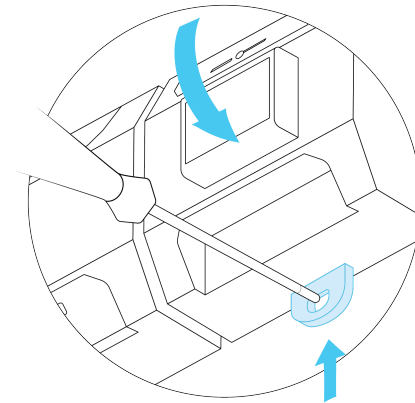


6. Release the kWh meter from the DIN rail, then remove the kWh meter from the installer box.



4.2.2. Install the kWh meter

1. Place the kWh meter on the DIN rail, pull down the lock then push the kWh meter on to the DIN rail.



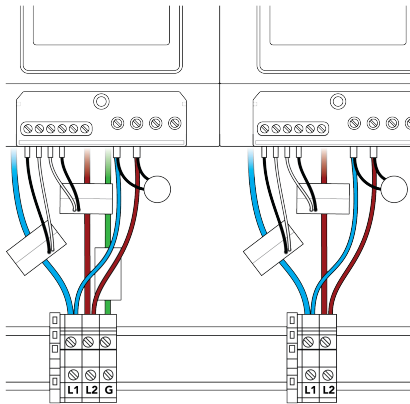
2. Connect the following wires to the kWh meter:

Wire	Terminal
Signal (solid color)	16
Signal (white/color)	17
Current transformer (CT) 1 (white)	1
Current transformer (CT) 1 (black)	2
Current transformer (CT) 2 (white)	3
Current transformer (CT) 2 (black)	4
Power phase L1	7
Power phase L2	8

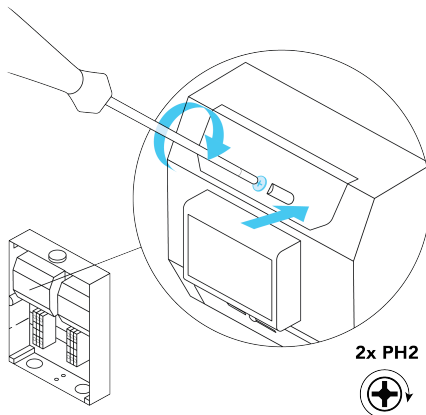


Note:

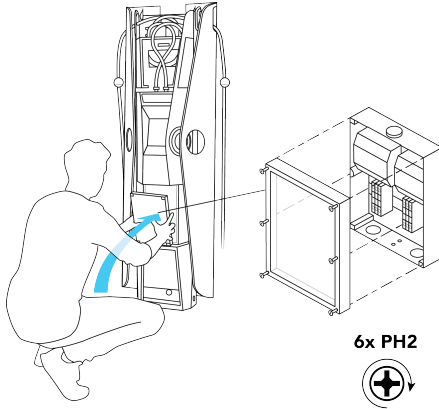
The varistor is crimped to the power phase L1 and L2 wires. Make sure that the varistor is secure.



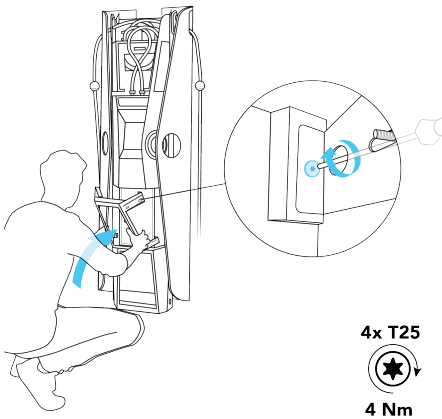
3. Install the two terminal covers and tighten the screws.



4. Install the installer box cover then tighten the six PH2 screws.



5. Install the installer box frame using four Torx screws.



6. Close the charging station (see [Close-up after maintenance on page 55](#)).
7. Test the charging station (see [Test the charging station on page 60](#)).

4.3. Replace a Charging cable

This procedure is for the right charging cable. The procedure for the left charging cable is the same.



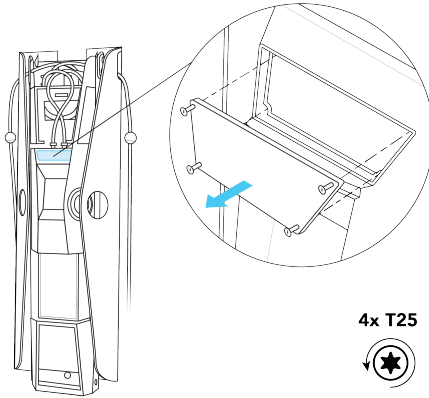
Note:

Use a step ladder to access the cables and brake mechanisms at the top of the charging station.

4.3.1. Remove the charging cable

1. Prepare the work area (see [Prepare the work area on page 10](#)) then open the charging station (see [Open the charging station on page 10](#)).
2. Disconnect the charging cable:

- a. Remove four Torx T25 screws and the service hatch.



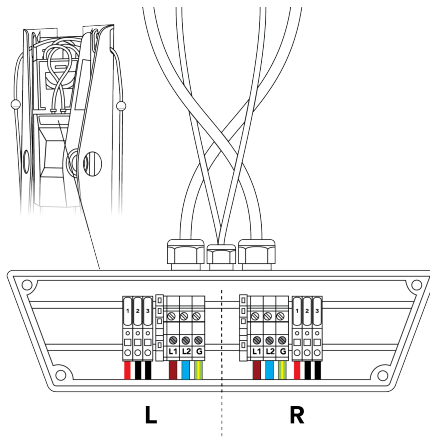
- b. Disconnect the following set of wires for the charging cable that you are replacing:



Note:

The terminals on the left side are for the left charging cable. The terminals on the right side are for the right charging cable.

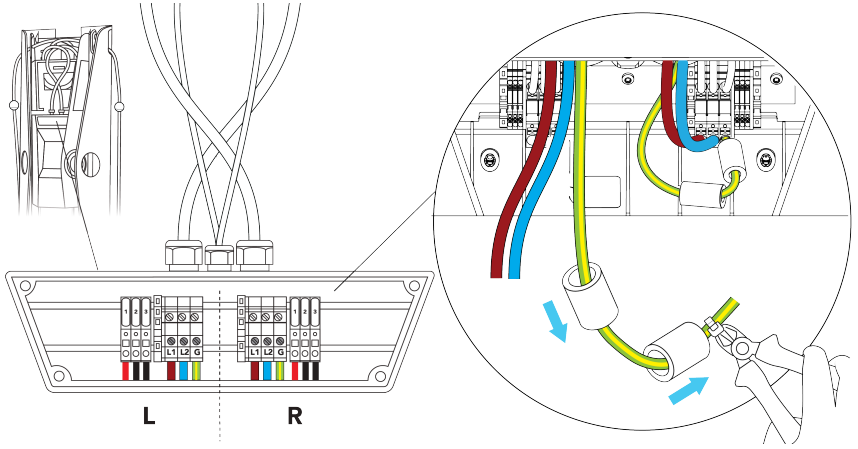
Wire	Terminal
Signal (red)	1
Power phase L1 (brown)	L1
Power phase L2 (blue)	L2
Protective earth PE/G (green/ yellow)	PE



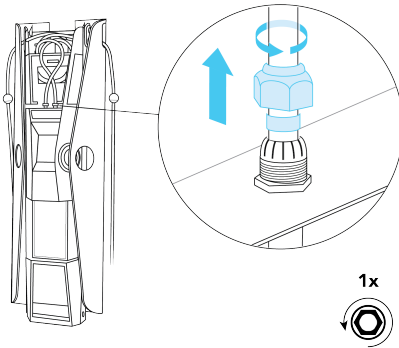
L = Left, R = Right

- c. Cut and discard the cable tie that secures two ferrite beads to the PE/G wire. Remove and

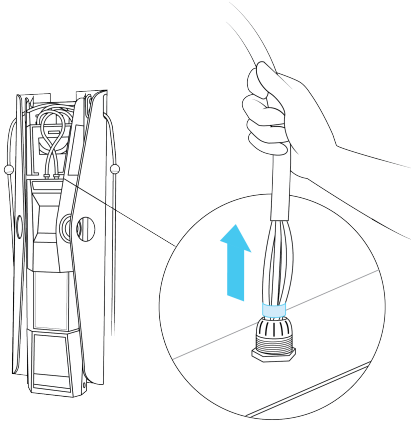
keep two ferrite beads from the PE/G wire.



d. Unscrew the cable gland.



- e. Pull the charging cable through the cable gland. Remove and keep the nut and rubber seal from the cable gland.



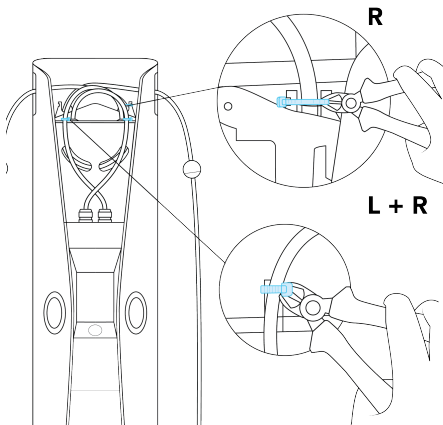
3. Remove the charging cable:

- a. Remove the cable ties that secure the charging cable to the charging station.



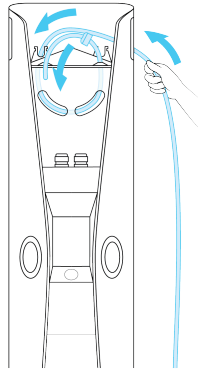
Note:

The right charging cable has two cable ties. The left charging cable has one cable tie.

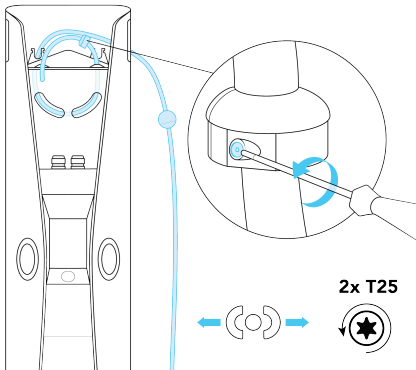


L = Left, R = Right

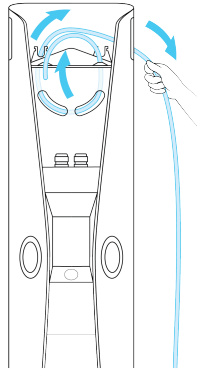
- b. Push and pull the charging cable out of the charging cable locking mechanism to access the strain relief.



- c. Remove and discard the strain relief.

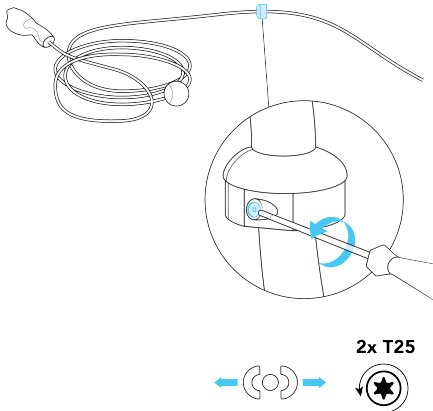


- d. Pull the charging cable out of the charging station.

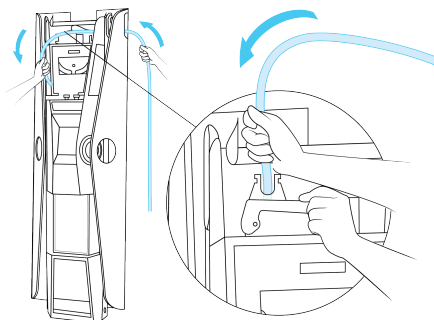


4.3.2. Install the charging cable

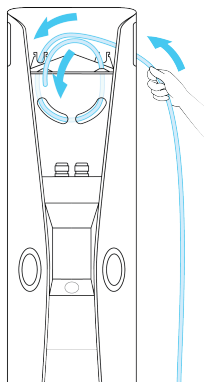
1. Install the charging cable:
 - a. Place a protective mat on the ground and place the charging cable and plug on the mat.
 - b. Remove and retain the strain relief from the new charging cable. Note the crimp mark on the charging cable where the strain relief was installed.



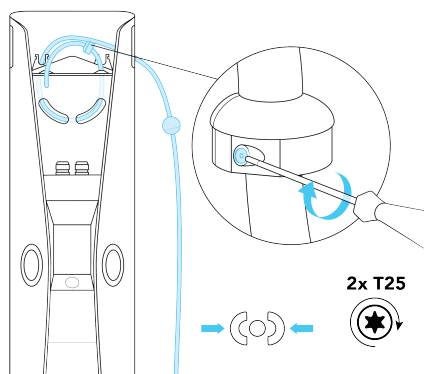
- c. Push the brake down to open the charging cable locking mechanism then insert the charging cable.



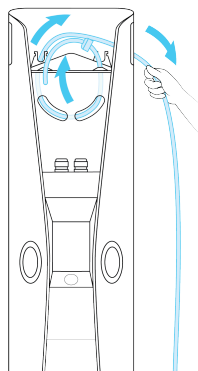
- d. Guide the charging cable around the counterweight and feed it through the strain relief hole at the top. Pull the charging cable out 1 m (40 in).



- e. Install the strain relief on the charging cable at the crimp mark (730 mm (28 ¾ in) from the beginning of the black insulation).



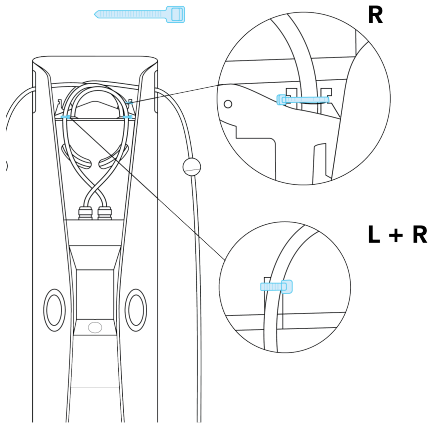
- f. Pull the charging cable back until the strain relief reaches the charging cable locking mechanism.



- g. Secure the charging cable to the charging cable support using new cable ties.

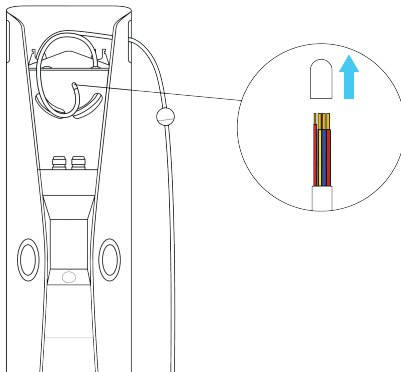
**Note:**

The right charging cable has two cable ties. The left charging cable has one cable tie.

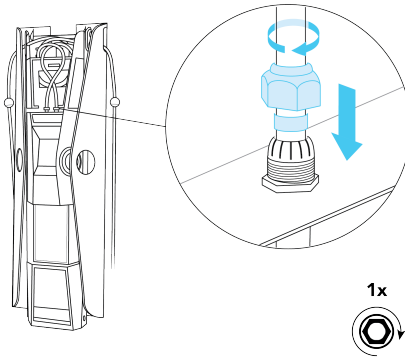


L = Left, R = Right

- h. Remove the protection cap from the end of the charging cable.



- i. Install the cable gland nut and rubber seal on the charging cable. Guide the charging cable through the cable gland then tighten the cable gland.



2. Connect the charging cable:

- a. Install two ferrite beads on the charging cable PE/G wire. Secure the ferrite beads in position using one UL-approved cable tie.



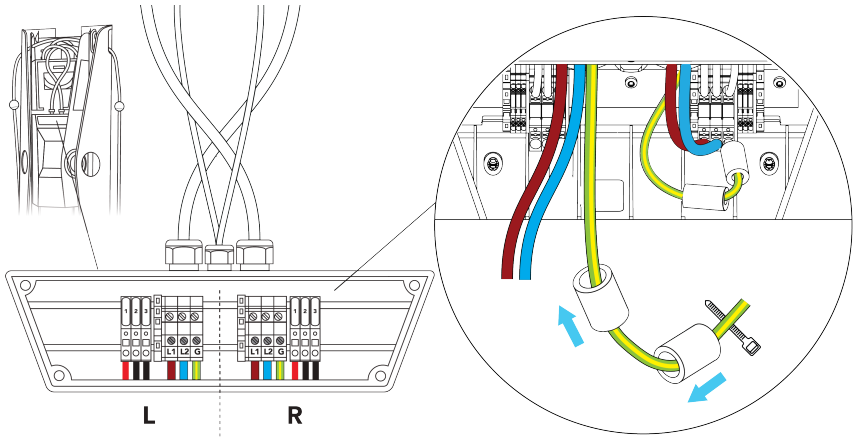
Note:

When ferrite beads were installed on the removed charging cable, these can be re-used on the replacement charging cables.



Note:

Position the ferrite beads on the PE/G wire so the wire will fit in the charger box without touching the ferrite beads on the other PE/G wire.

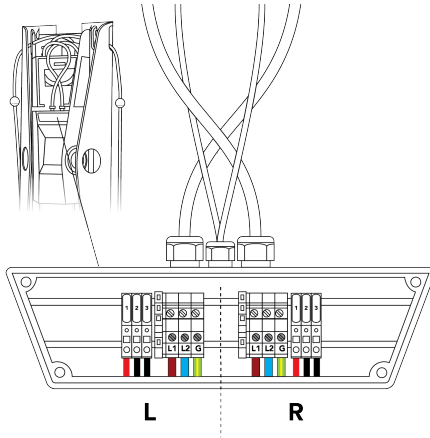


- b. Connect the following set of wires for the charging cable that you are replacing:

**Note:**

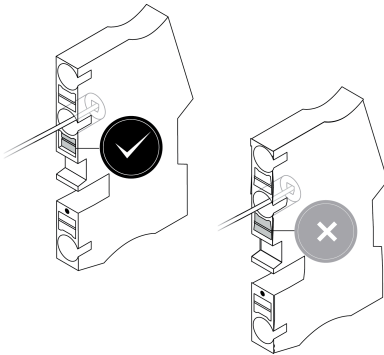
The terminals on the left side are for the left charging cable. The terminals on the right side are for the right charging cable.

Wire	Terminal
Signal (red)	1
Power phase L1 (brown)	L1
Power phase L2 (blue)	L2
Protective earth PE/G (green/ yellow)	PE

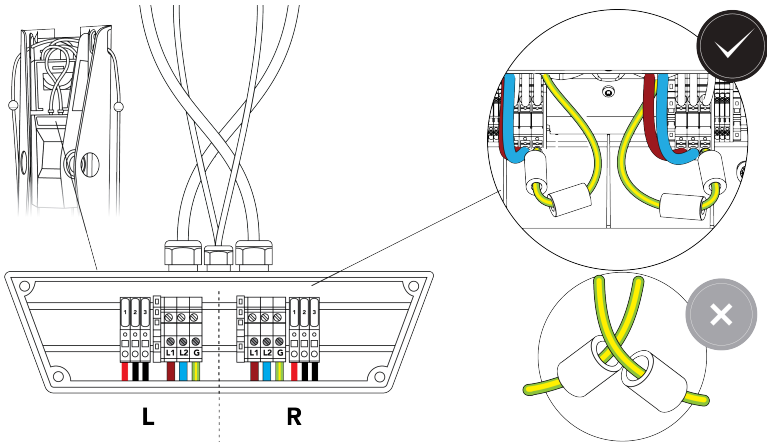


L = Left, R = Right

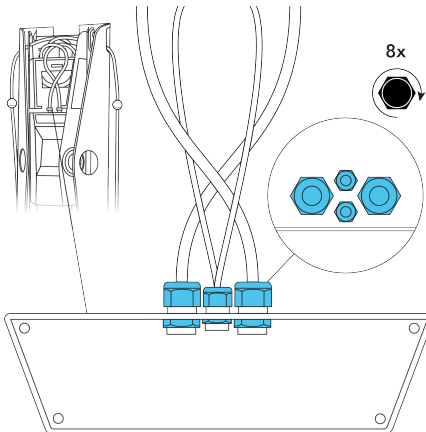
- c. Pull on each wire to make sure it is correctly connected. The indicators on the terminal blocks must be in the locked position.



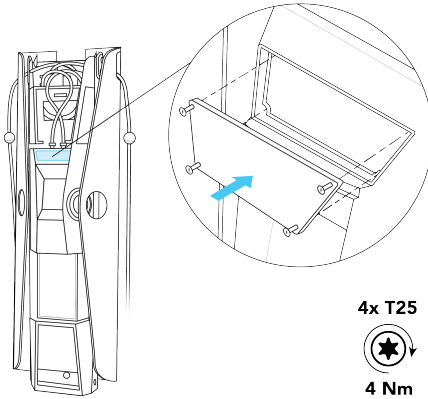
- d. Make sure that the ferrite beads on one PE/G wire do not touch the ferrite beads on the other PE/G wire.



- e. To ensure the station IP rating and the security of cables, make sure that the cable glands on the top of the charger box are tight:
- Check the four cable gland sealing nuts on the outside of the charger box.
 - Check the four cable gland lock nuts on the inside of the charger box.



- f. Install the service hatch using four Torx T25 screws.



3. Close the charging station (see [Close-up after maintenance on page 55](#)).
4. Test the charging station (see [Test the charging station on page 60](#)).

4.4. Replace a LED ring

Two LED rings are installed. The procedure is the same for each LED ring.

4.4.1. Remove the LED ring

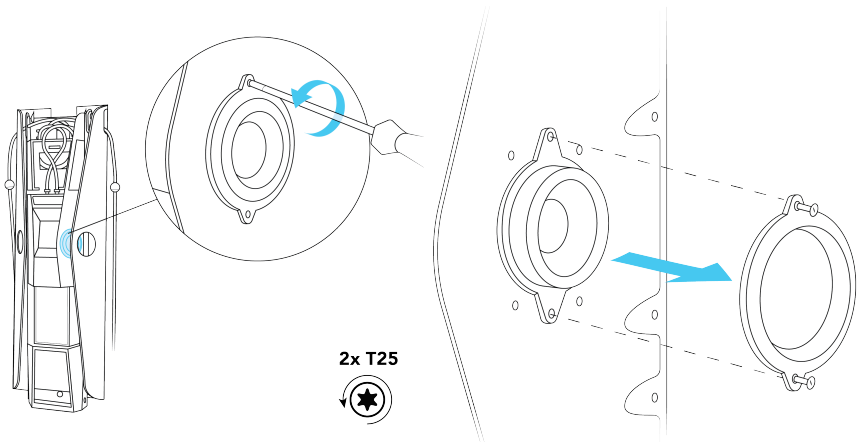
1. Prepare the work area (see [Prepare the work area on page 10](#)) then open the charging station (see [Open the charging station on page 10](#)).



Note:

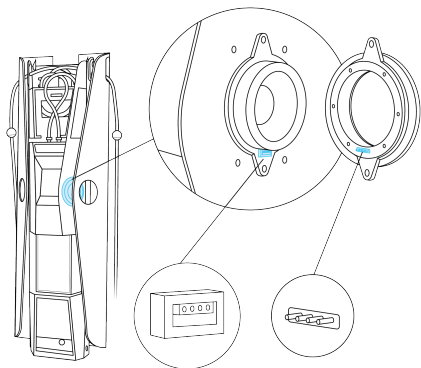
It is only necessary to open the side panels.

2. Remove two screws and the LED ring.

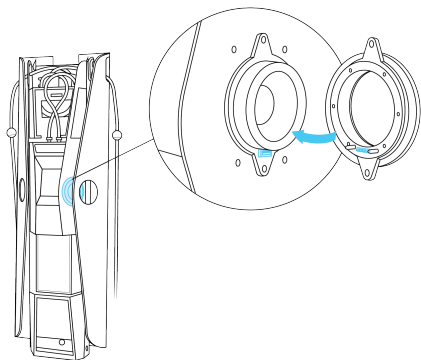


4.4.2. Install the LED ring

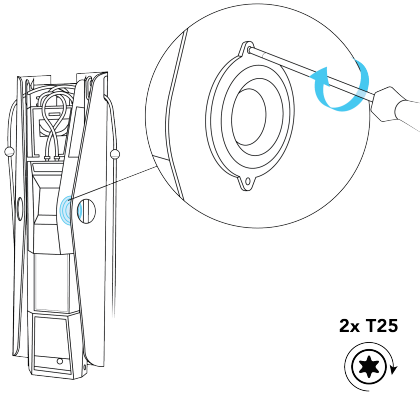
1. Make sure the pin contacts on the charging station are clean.



2. Align the two pins on the LED ring with the holes in the charging station and push the LED ring into position.



3. Install two screws to secure the LED ring.



4. Close the charging station (see [Close-up after maintenance on page 55](#)).
5. Test the charging station (see [Test the charging station on page 60](#)).

5. SERVICING INSTRUCTIONS

Refer to [Periodical servicing schedule on page 3](#) for the recommended servicing schedule.

**CAUTION:**

Do not use a hose or a high pressure spray to clean the charging station.

**CAUTION:**

Do not use aggressive chemical cleaners or solvents to clean the charging station.

5.1. Clean the exterior

1. Clean the outer surfaces and covers using a soft damp cloth and mild detergent spray.
2. Wipe any moisture off using a soft dry cloth.
3. Clean the touchscreen using cleaning wipes specifically intended for use on touchscreens.

5.2. Clean the interior

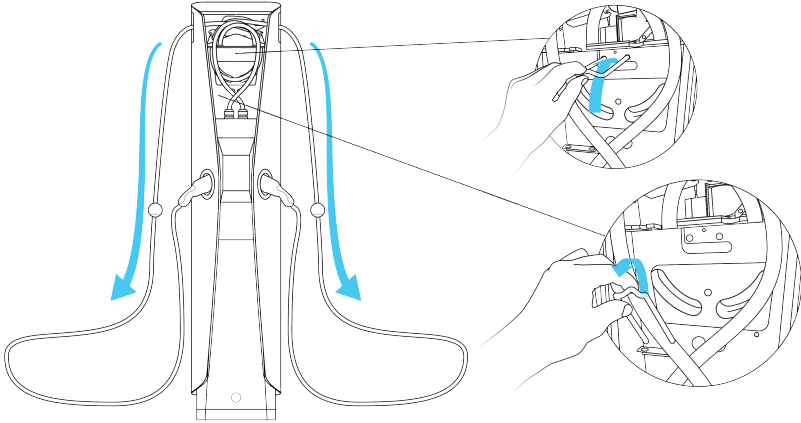
1. Prepare the work area (see [Prepare the work area on page 10](#)) then open the charging station (see [Open the charging station on page 10](#)).
2. Use a brush and a vacuum cleaner to remove loose dirt and debris from the interior of the charging station.
3. Clean accessible interior surfaces using a soft damp cloth and mild detergent spray.
4. Close the charging station (see [Close-up after maintenance on page 55](#)).

5.3. Clean the charging cables

Charging cables and the cable rollers can become dirty from dust, frequent use, or the cable touching the ground.

1. Prepare the work area (see [Prepare the work area on page 10](#)).
2. Remove the top cover (see [Open the charging station on page 10](#)).
3. Place a protective mat on the ground to protect the charging cables and plugs from damage.

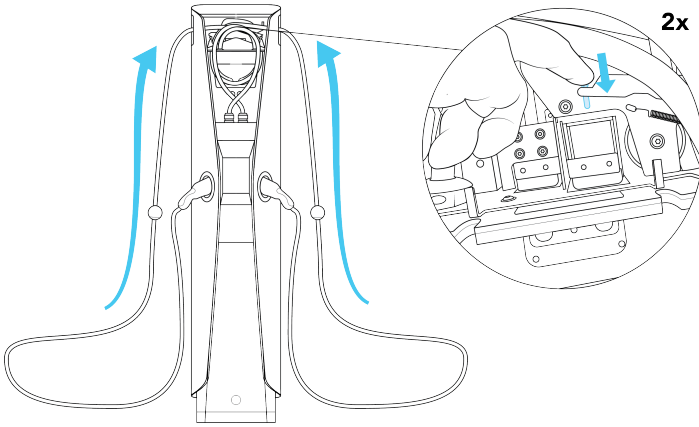
4. Fully extend the charging cables and insert the safety pin.



5. Clean the external surfaces of the charging cables and plugs using a soft damp cloth and mild detergent.
6. Check the charging plug for damage and for foreign matter. Clean if necessary.
7. Clean the cable feed rollers using a soft damp cloth and mild detergent.
8. Remove the safety pin and place it back into its holder.



9. Retract the charging cables by pushing down the levers in the cable locking mechanism.



10. Install the top cover (see [Close-up after maintenance on page 55](#)).

6. Close-up after maintenance

6.1. Close the charging station

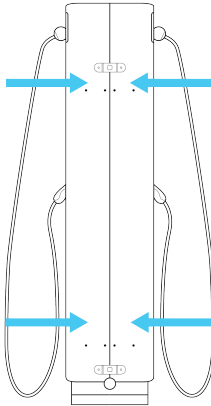


Note:

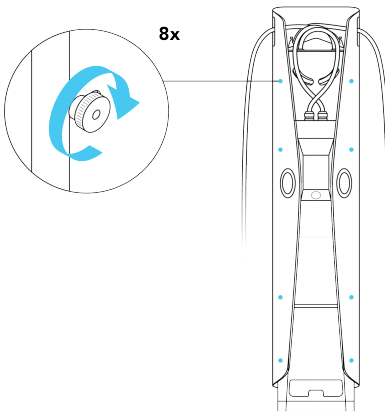
Spare thumbnuts and Torx M5 T25 screws are installed near the charging cable brake mechanism (see [Description on page 8](#)).

1. Close the side covers as follows:

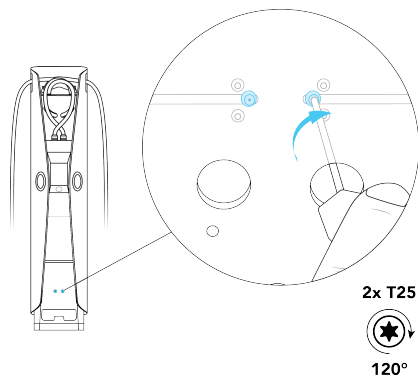
- a. Slide the side panels closed.



- b. Install and tighten the eight thumbnuts.

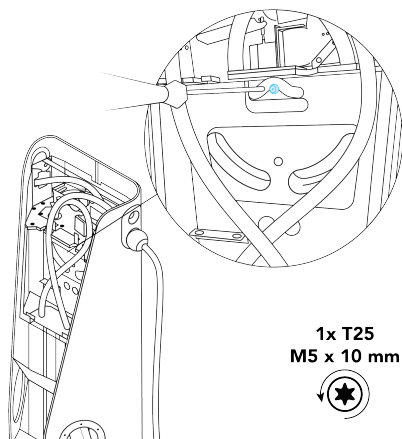


- c. Tighten two Torx screws that secure the side panels at the bottom.

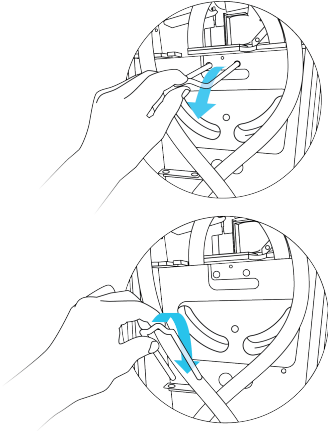


- d. Remove the flanged Torx T25 M5 x 10 mm screw that secures the safety pin.

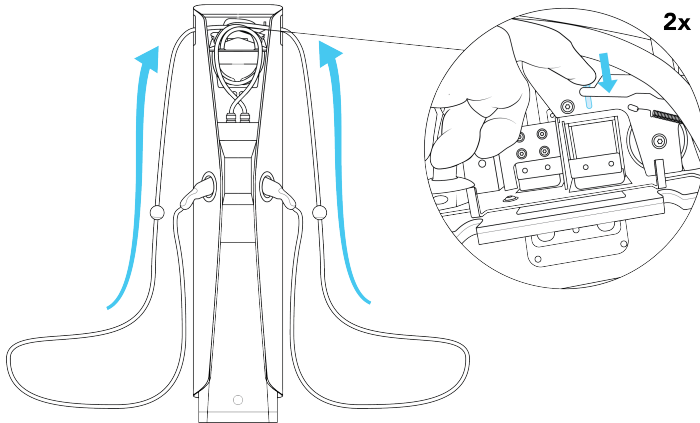
i Note: Do not install the safety pin screw when the safety pin has been removed. The screw can catch on the charging cable mechanism.



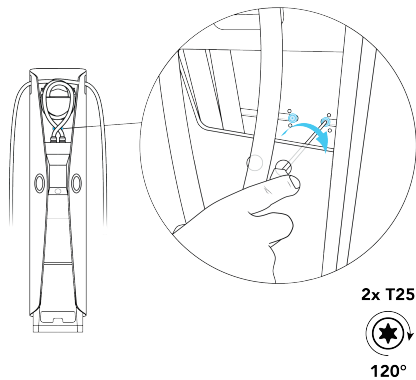
- e. Remove the safety pin and place it back into its holder.



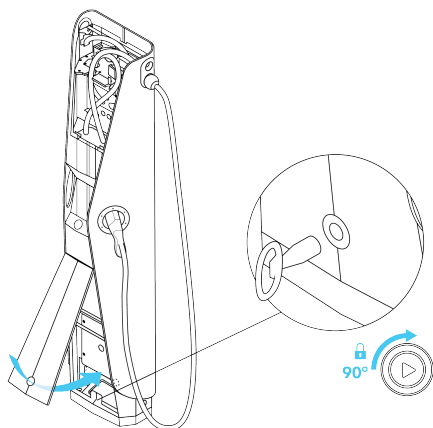
- f. Retract the charging cables by pushing down the levers in the cable locking mechanism.



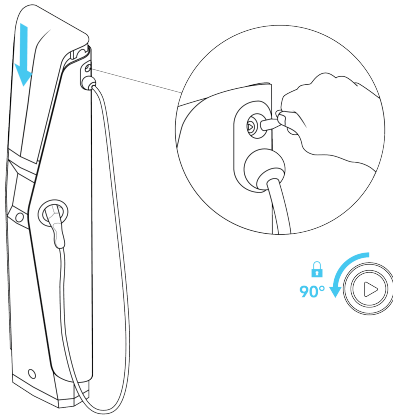
- g. Tighten two Torx screws that secure the side panels at the top.



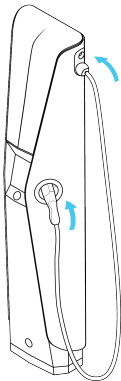
2. Install the bottom cover.



3. Install the top cover.



4. Place the charging cable plugs in the holders. Make sure the cables are fully retracted.



7. Testing and commissioning

7.1. Commission the charging station

After replacing a charger box in an Iqon Hub, use the EVBox Connect App to connect the Hub to the charging management system of the CPO. Then contact the support channel of the CPO to re-register the new EVB-P registration number of the Hub charging station with the CPO, and request that the CPO configures the Iqon Hub for use.



Note:

The new charger box has a unique registration number which can be found on the new sticker applied to the charging station.

After replacing a charger box in an Iqon Satellite, supply power to the complete Hub-Satellite cluster. The Hub will automatically find the newly-connected satellite (through the RS485 connection). Then contact the support channel of the CPO to re-register the Satellite using the EVB-P registration number of the Hub charging station, and request that the CPO configures the Iqon Satellite for use.

7.2. Test the charging station



Note:

Make sure that the charging station is correctly registered with the CPO before you start the test.

1. In the power supply cabinet, supply power to every charging station in the Hub-Satellite installation.
2. On each touchscreen of the charging stations that were repaired or serviced, make sure that an error screen is not shown.
3. Test the charging station by charging two vehicles at the same time.



Note:

The EVBox Dual Socket Test Box can also be used instead of a vehicle (see [Tools and material on page 9](#)).



Note:

An active charge card or app can be used to start and stop a charging session.

Make sure of the following results:

- No error screen is shown on the touchscreen.
 - The LED rings do not show red or flashing red.
 - The vehicle charges correctly using each charging cable.
4. If an error does occur, check the following:
 - Make sure that both covers are correctly closed.
 - Check that all PE/G cables are correctly connected.

If an error screen is still shown on the touchscreen after corrective action, contact the CPO for more information about errors from the applicable charging station.
 5. Disconnect all vehicles or test boxes from the charging station.

8. Disclaimer

The present document is drawn up by way of information only and does not constitute an offer binding upon EVBox ("EVBox"). EVBox has compiled the contents of this document to the best of its knowledge. No express or implied warranty is given for the completeness, accuracy, reliability or fitness for particular purpose of its content and the products and services presented therein. Specifications and performance data contain average values within existing specification tolerances and are subject to change without prior notice. Prior to ordering, always contact EVBox for the latest information and specification. EVBox explicitly rejects any liability for any direct or indirect damage, in the broadest sense, arising from or related to the use and/or interpretation of this document. EVBIM_102021 © EVBox Manufacturing North America Inc.

EVBox strives to manufacture products of the highest quality. EVBox products for the US market are UL 2594 tested and compliant. For the Canadian market, they are CSA C22.2 No. 280-16 tested and compliant. More details can be found at evbox.us or in this installation manual. EVBox products are sold with a limited warranty described at evbox.us/general-terms-conditions.

© 2021 EVBox North America, Inc. All rights reserved. Iqon, EVBox® and the EVBox logo are trademarks or registered trademarks.

EVBox North America Inc.,
1930 Innovation Way, Suite 200,
Libertyville, IL 60048, USA
www.evbox.com/support

