

EVBox Iqon

**Installation and commissioning
manual Part B**

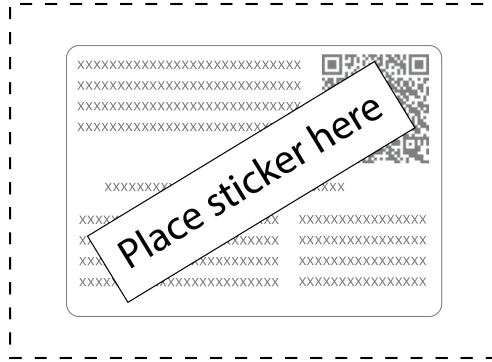
EVBox Iqon

**Installation and commissioning
manual Part B**

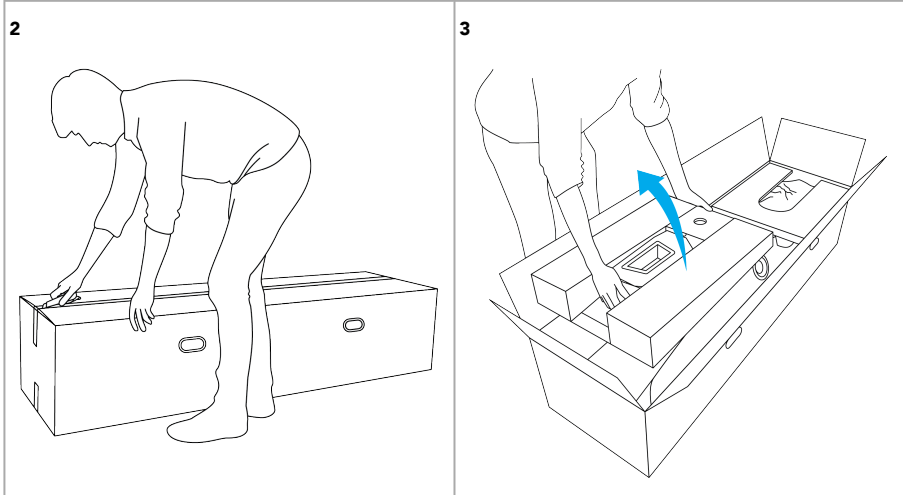
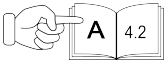
Table of Contents

1. Configuration sticker	3
2. Unpacking	3
3. Prepare ground anchors	10
4. Prepare wall mounting	12
5. Install the station	13
6. Connect power cables	15
7. Connect RS485 data cables	22
8. Close covers	25

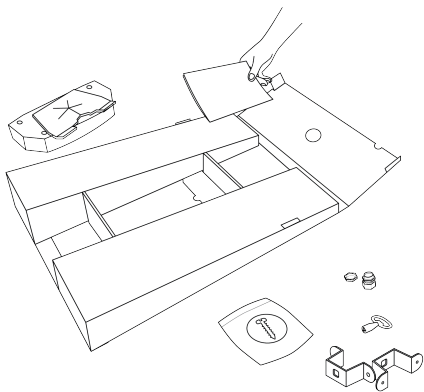
1. Configuration sticker



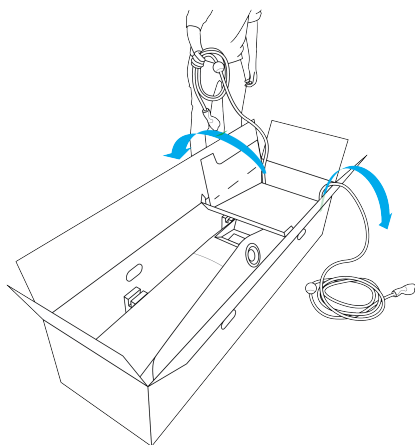
2. Unpacking



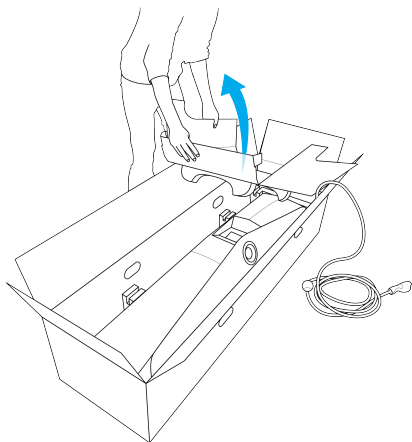
4



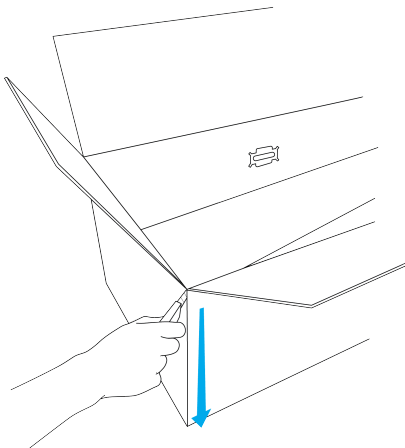
5



6

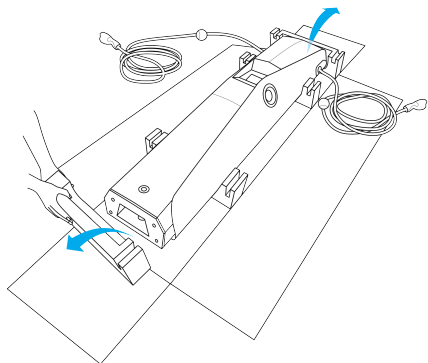


7

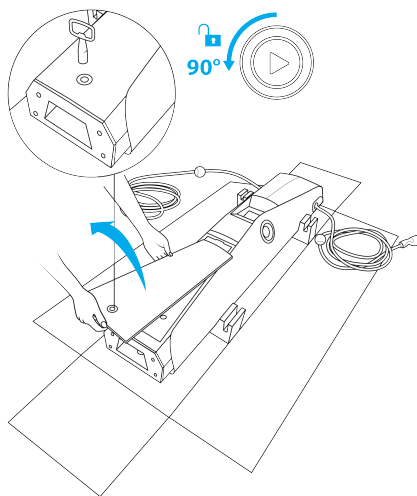


2. Unpacking

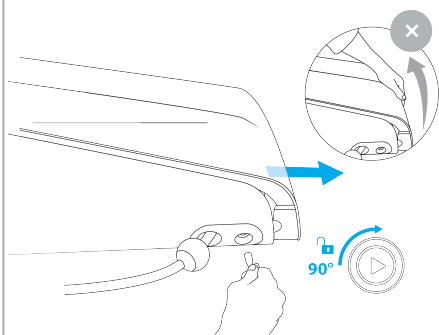
8



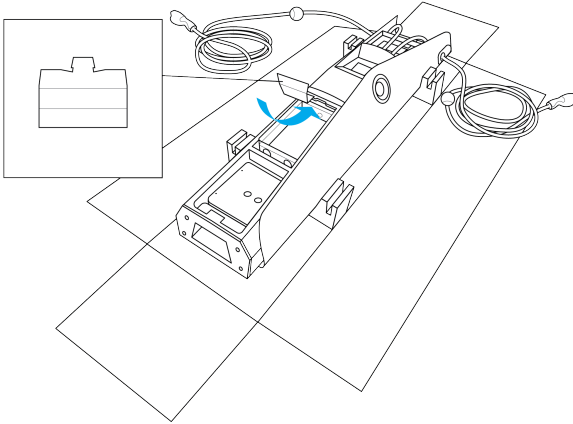
9



10



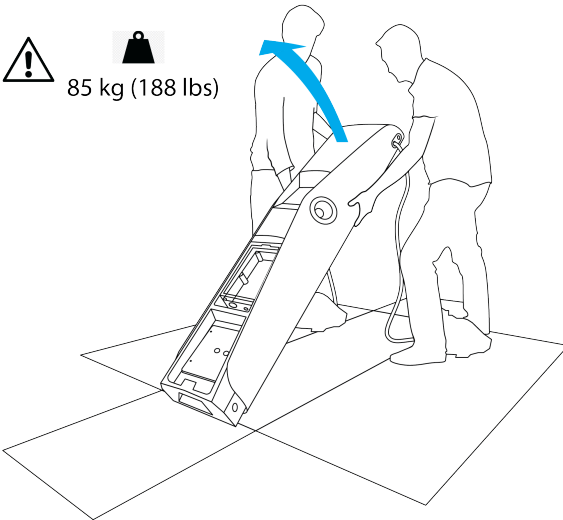
11



12



85 kg (188 lbs)



2. Unpacking

13a

1x T25



4 Nm



4 Nm



4 Nm



4 Nm



4 Nm



4 Nm



4 Nm



4 Nm



4 Nm



4 Nm



4 Nm



4 Nm



4 Nm



4 Nm



4 Nm



4 Nm



4 Nm



4 Nm



4 Nm



4 Nm



4 Nm



4 Nm



4 Nm



4 Nm



4 Nm



4 Nm



4 Nm



4 Nm



4 Nm



4 Nm



4 Nm



4 Nm



4 Nm



4 Nm



4 Nm



4 Nm



4 Nm



4 Nm



4 Nm



4 Nm



4 Nm



4 Nm



4 Nm

13b

13c

13d

1x T25



4 Nm



4 Nm



4 Nm



4 Nm



4 Nm



4 Nm



4 Nm



4 Nm



4 Nm



4 Nm



4 Nm



4 Nm



4 Nm



4 Nm



4 Nm



4 Nm



4 Nm



4 Nm



4 Nm



4 Nm



4 Nm



4 Nm



4 Nm



4 Nm



4 Nm



4 Nm



4 Nm



4 Nm



4 Nm



4 Nm

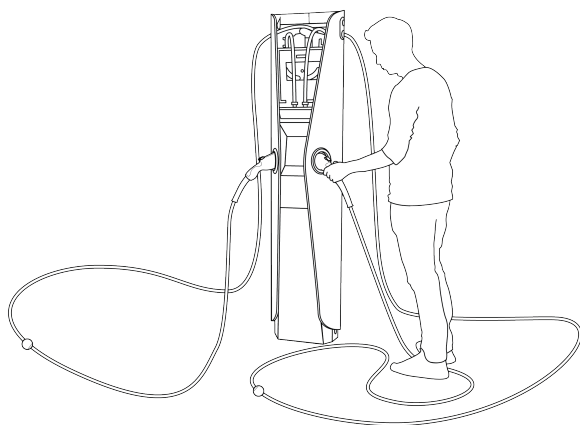


4 Nm

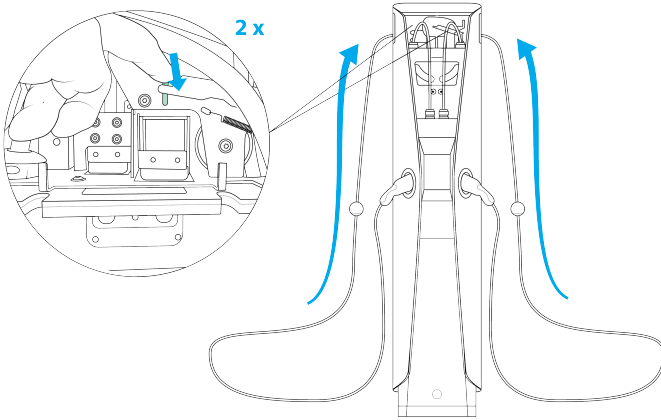


4 Nm

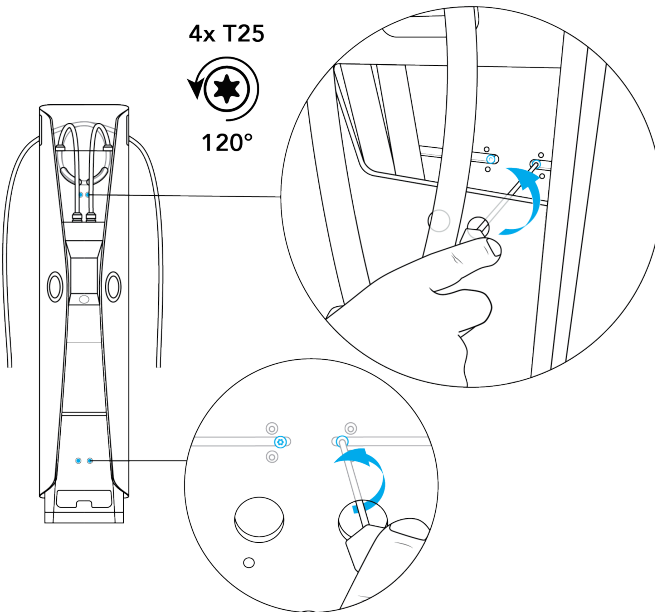
13e



13f

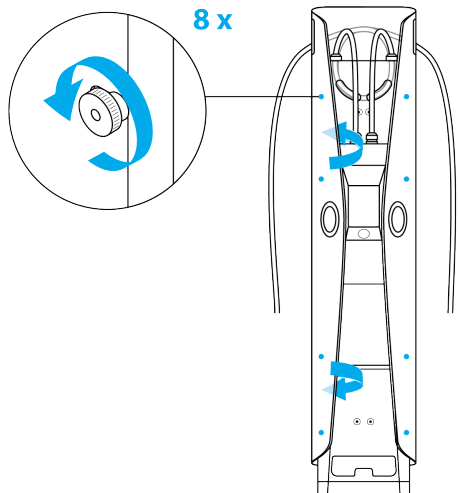


14a

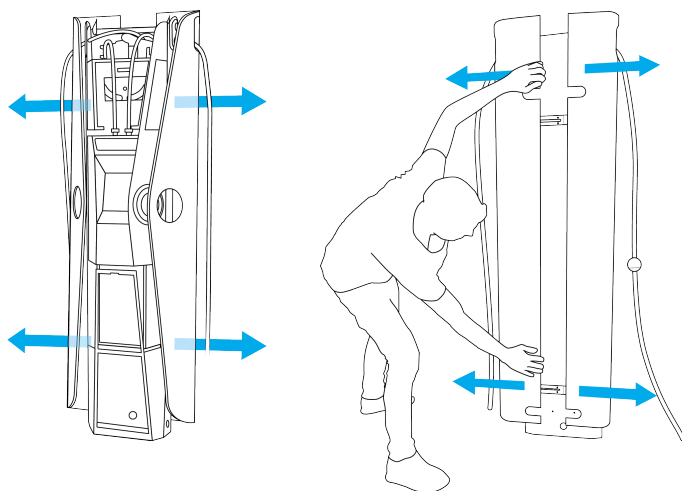


2. Unpacking

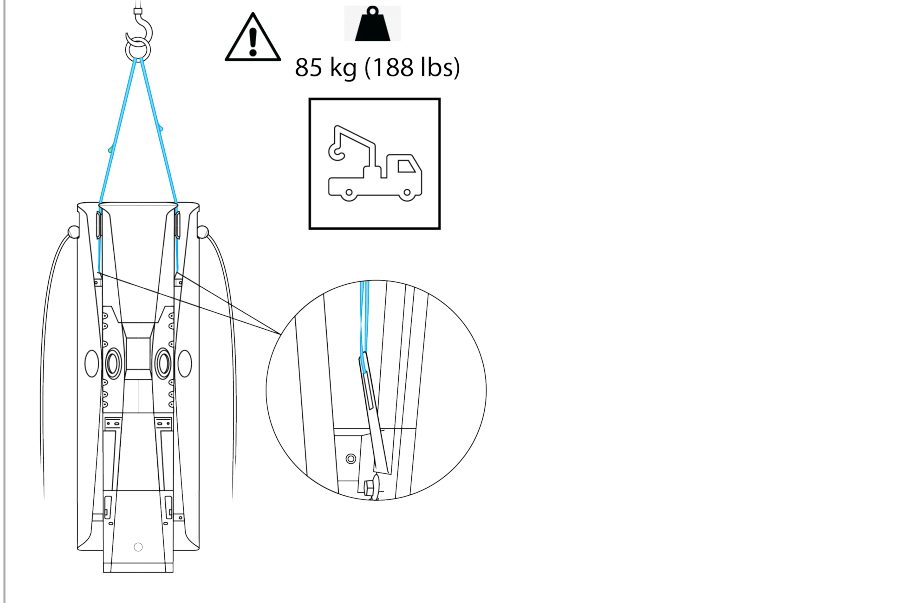
14b



14c



15a



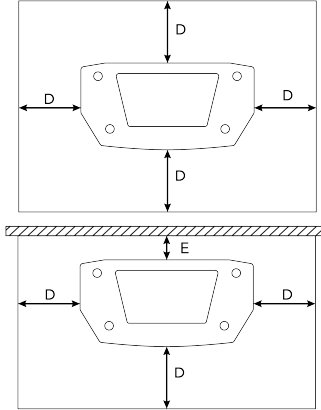
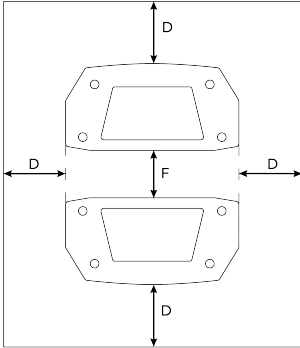
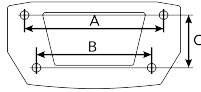
3. Prepare ground anchors



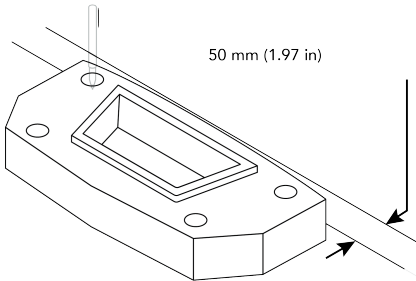
3. Prepare ground anchors

1

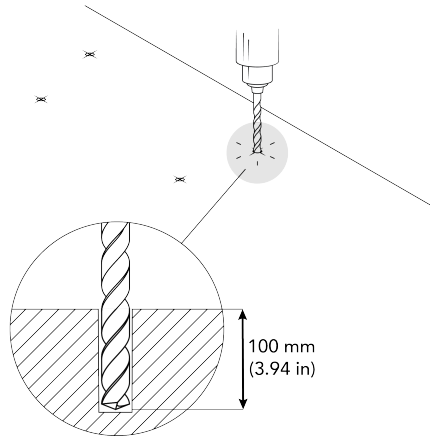
A = 290 mm (11.42 in)
B = 240 mm (9.45 in)
C = 110 mm (4.33 in)
D = 130 mm (5.12 in) min.
E = 50 mm (1.97 in)
F = 100 mm (3.94 in)

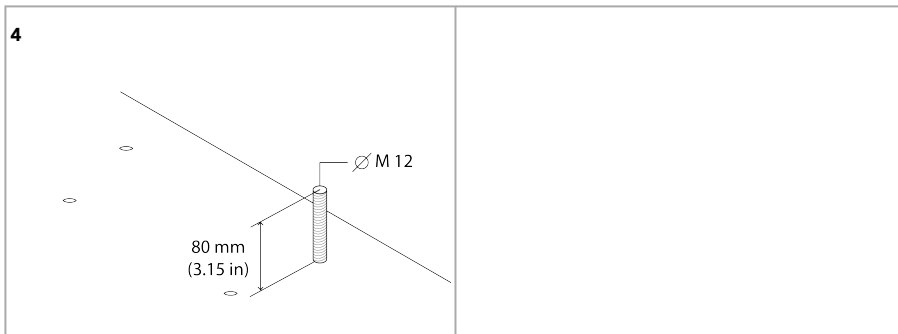


2

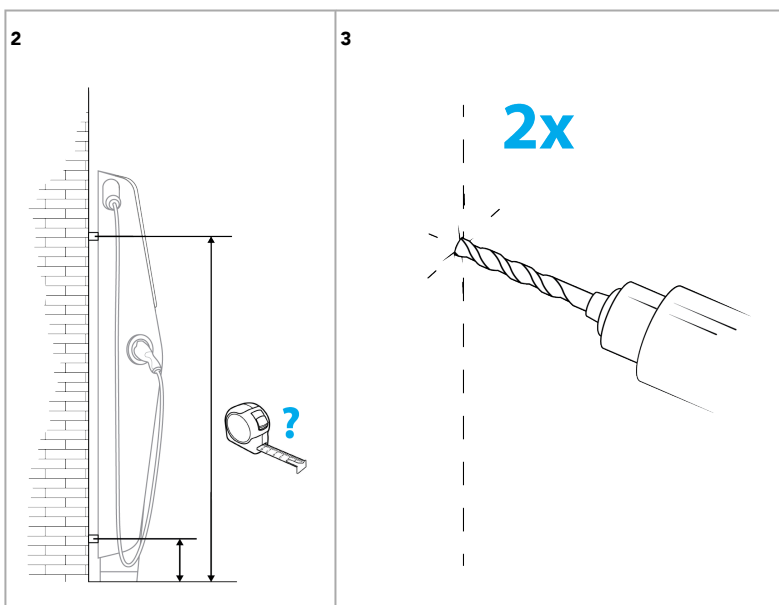


3

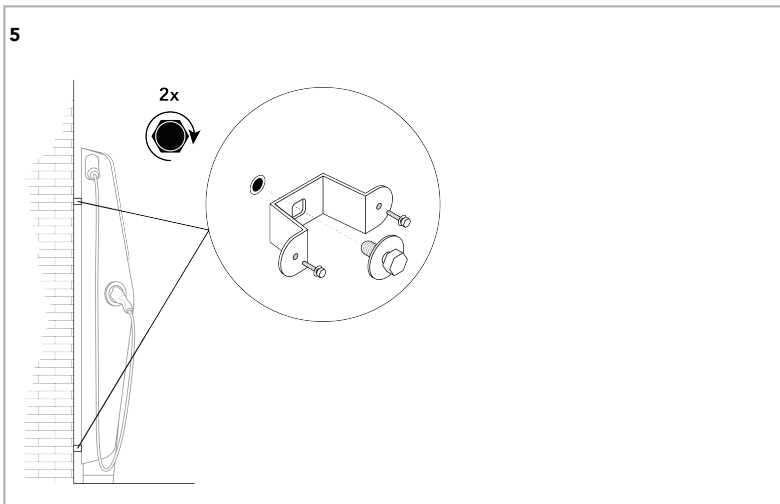




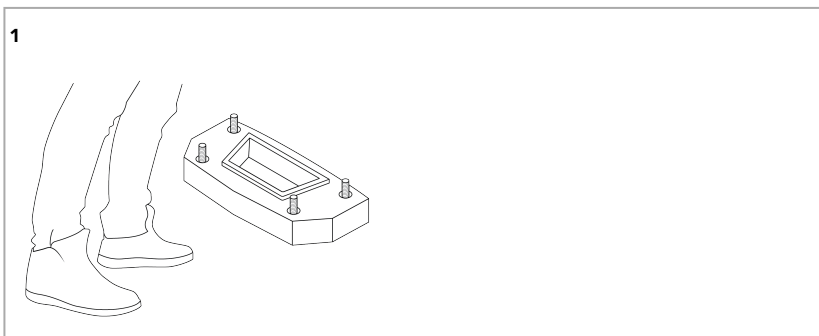
4. Prepare wall mounting



5. Install the station

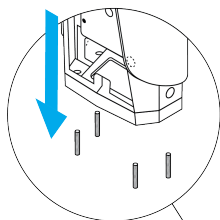


5. Install the station

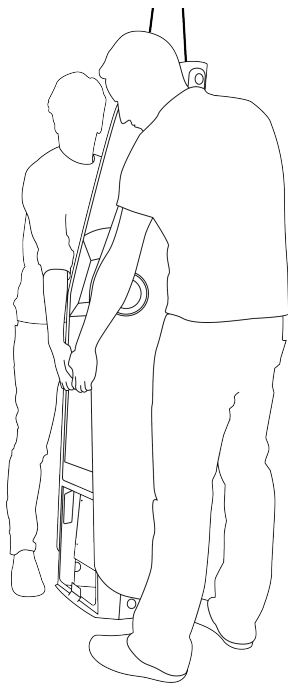
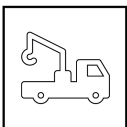


2

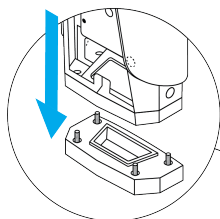
A.



85 kg (188 lbs)



B.

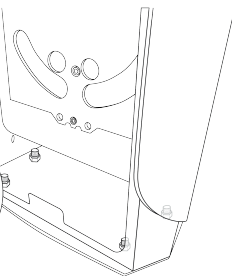
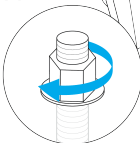


3

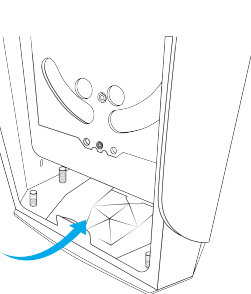
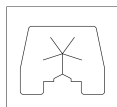
4x 19 mm



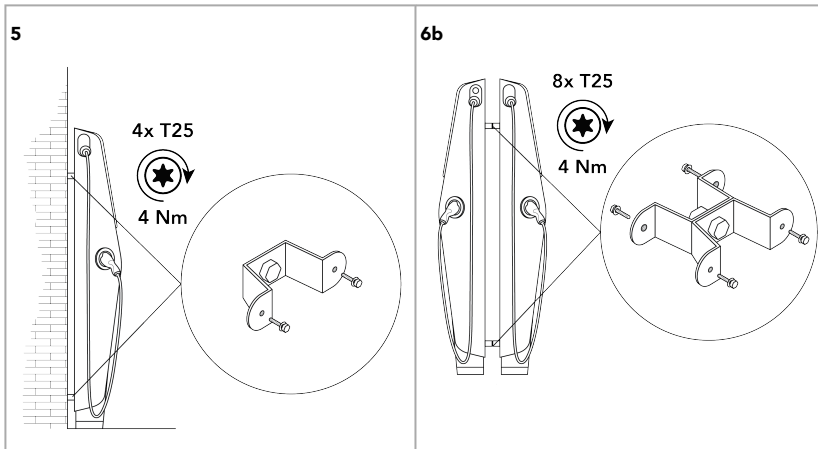
30 Nm



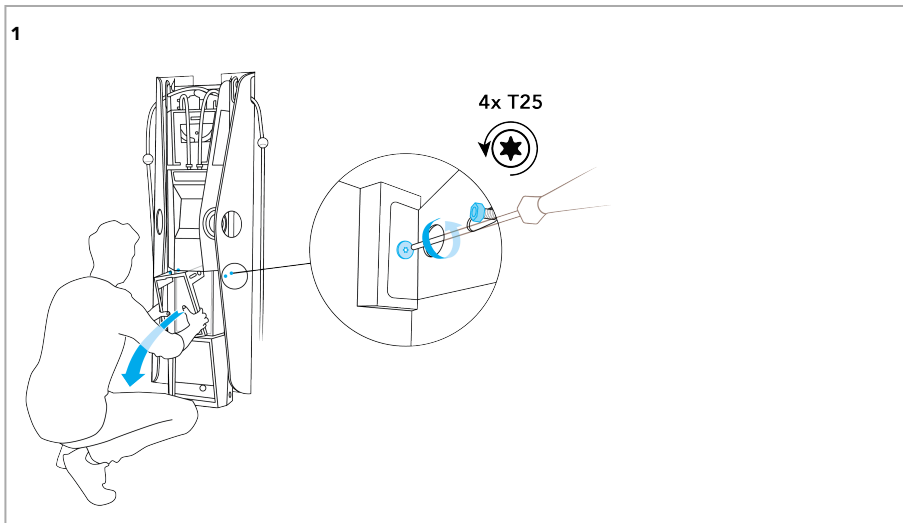
4



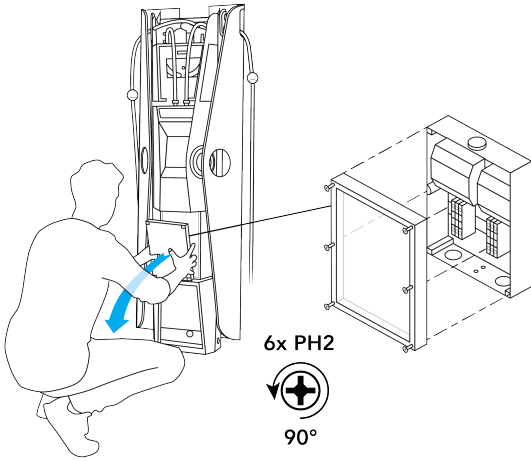
6. Connect power cables



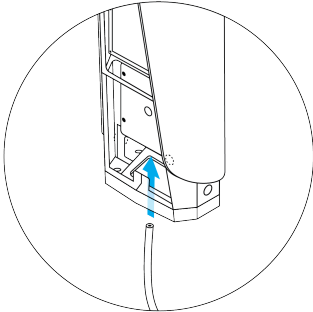
6. Connect power cables



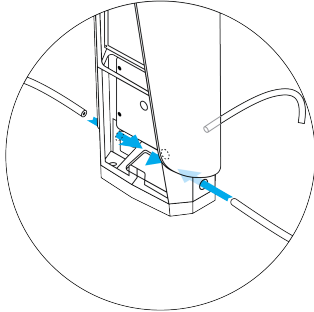
2



3 - 1

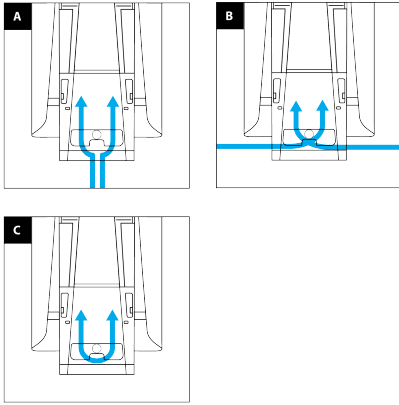


3 - 2

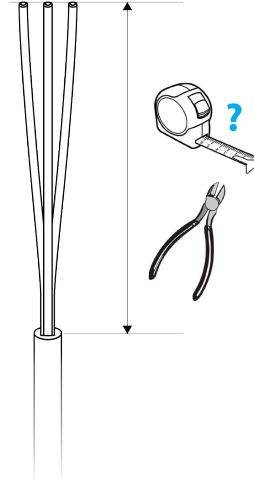


6. Connect power cables

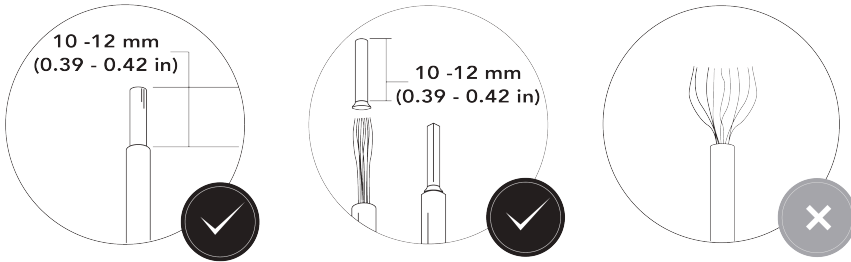
4a



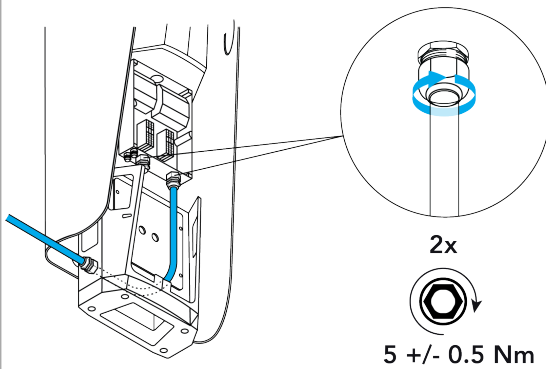
4b



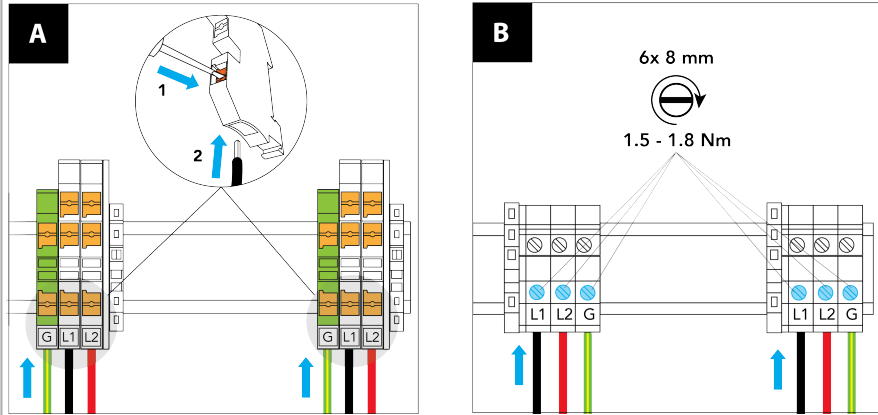
4c



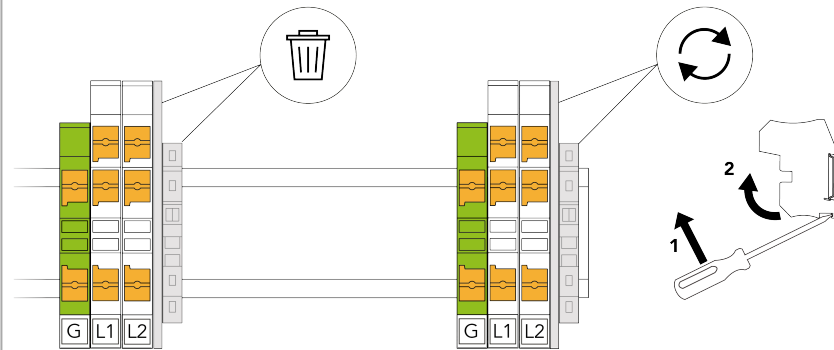
4d



4e

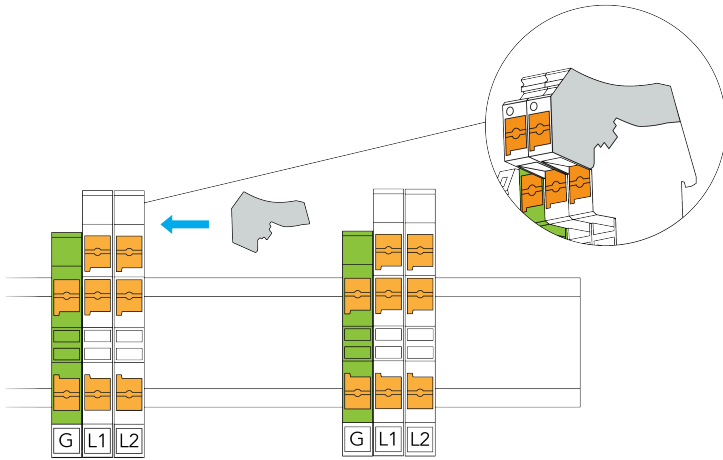


5a

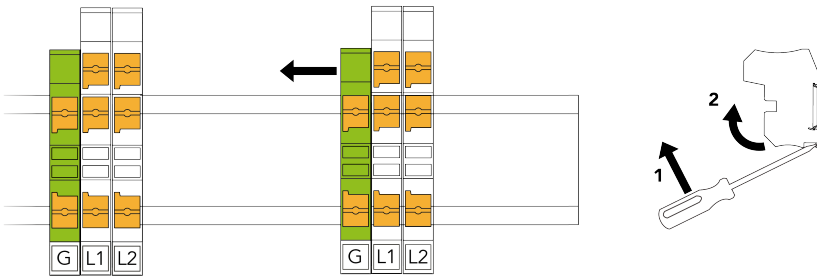


6. Connect power cables

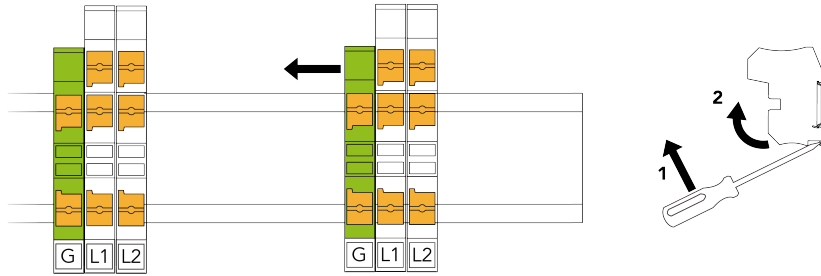
5b



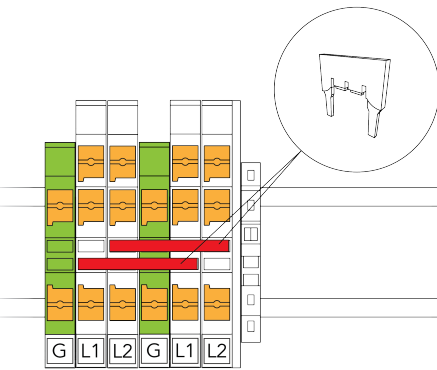
5c



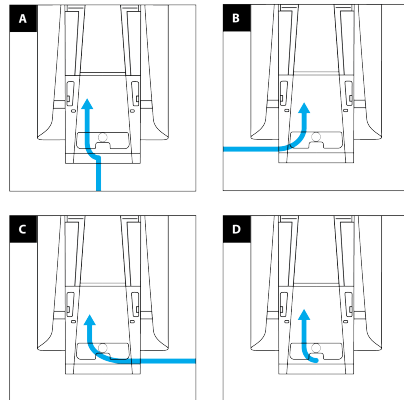
5d



5e

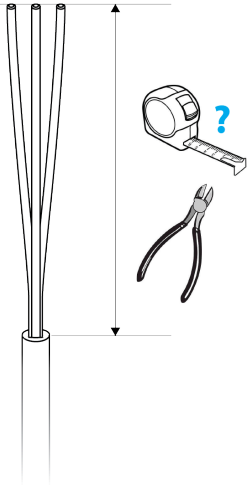


5f

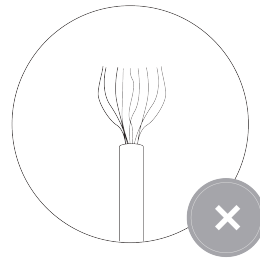
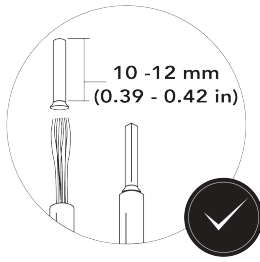
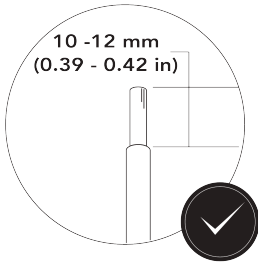


6. Connect power cables

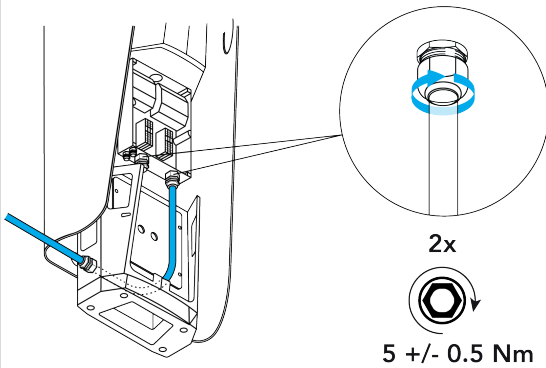
5g



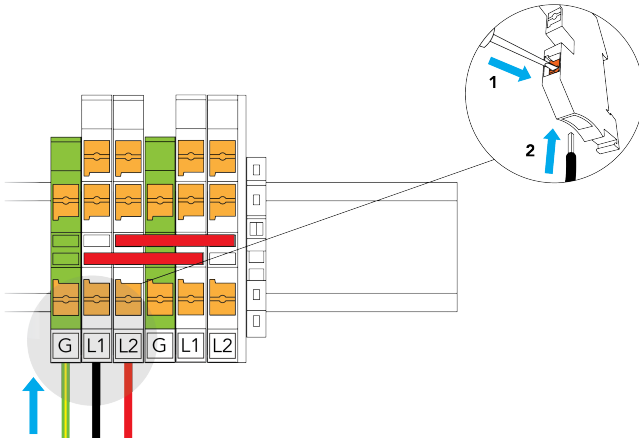
5h



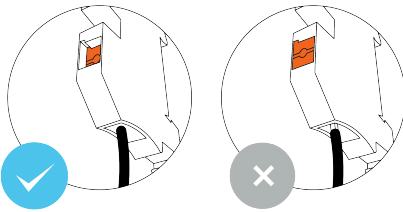
5i



5j



6

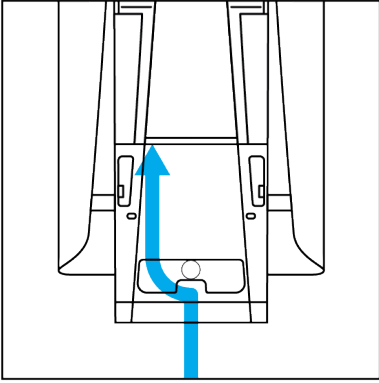


7. Connect RS485 data cables

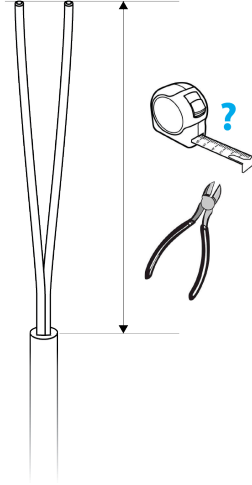


7. Connect RS485 data cables

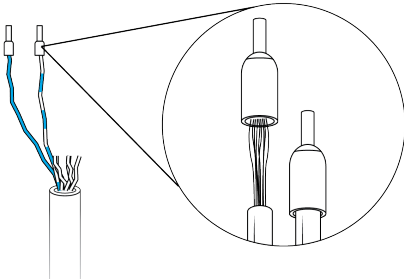
1



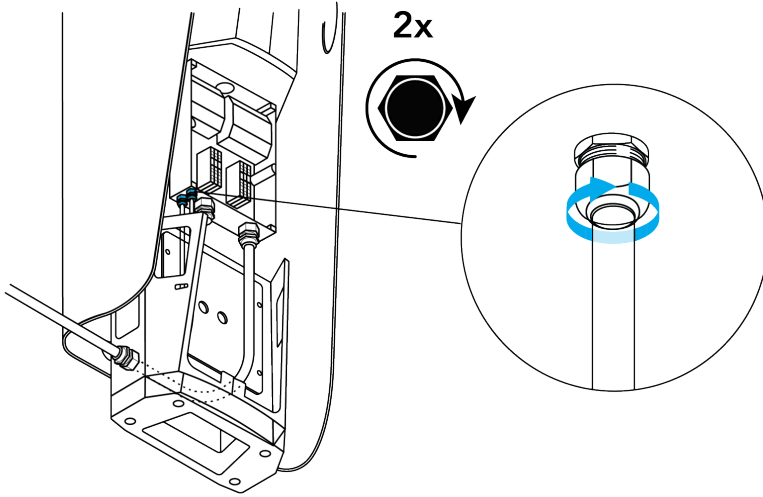
2



3



4



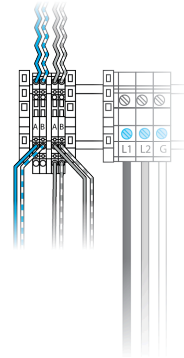
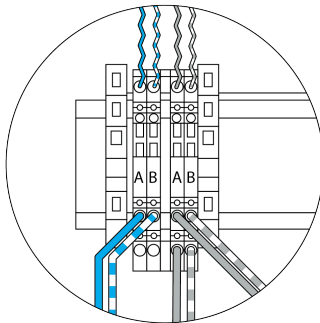
5

RS485 Smart Charging

-  A / 1 (+)
-  B / 2 (-)

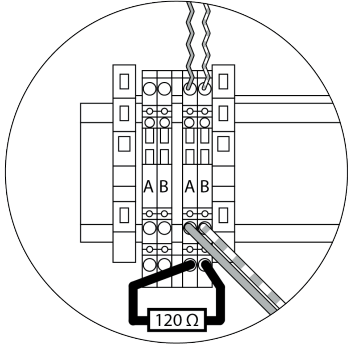
RS485 Hub-Satellite

-  A / 3 (+)
-  B / 4 (-)

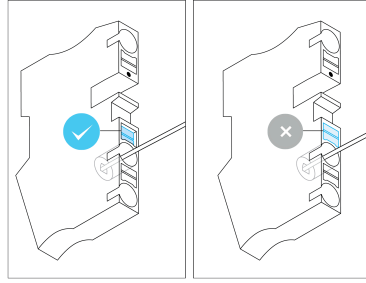


8. Close covers

6



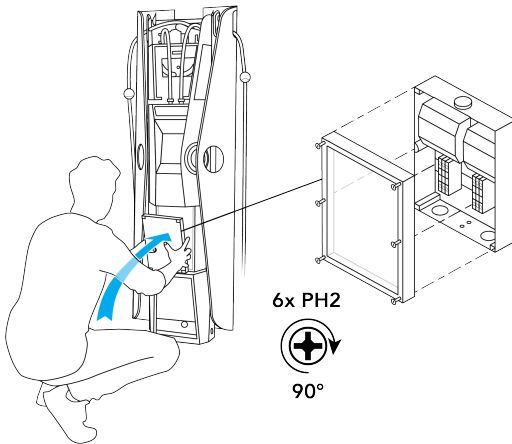
7



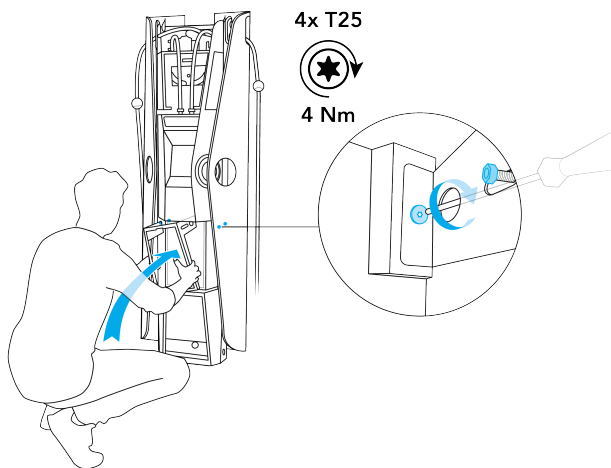
8. Close covers



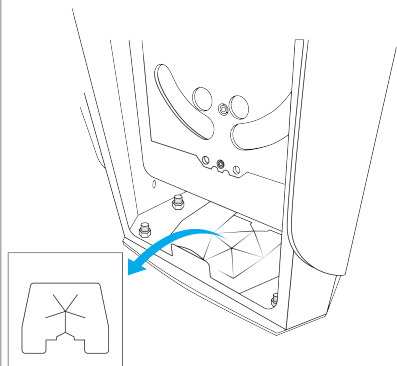
1



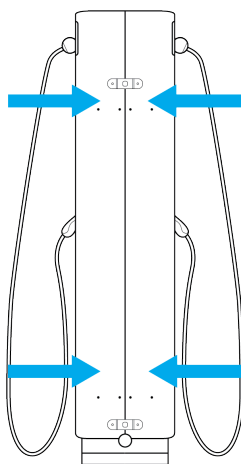
2



3

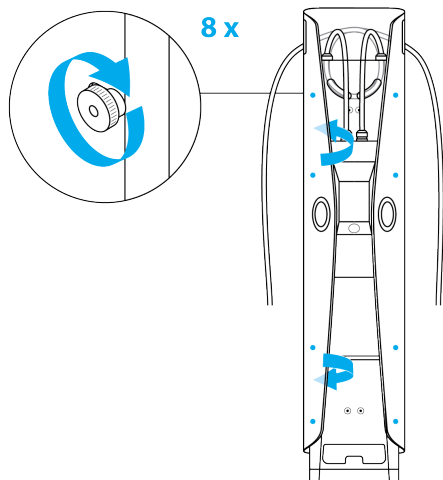


4a

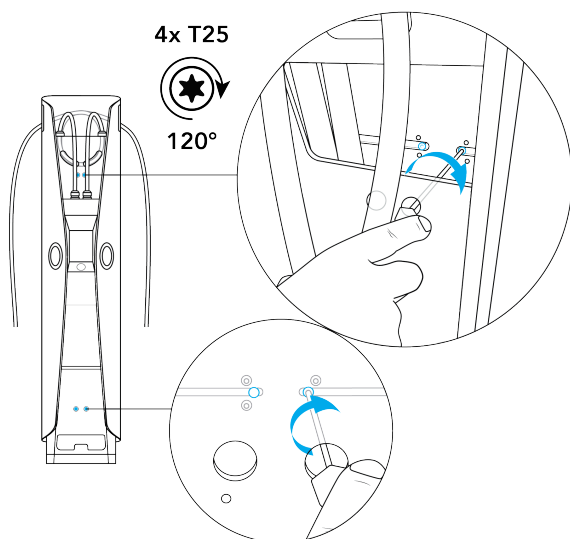


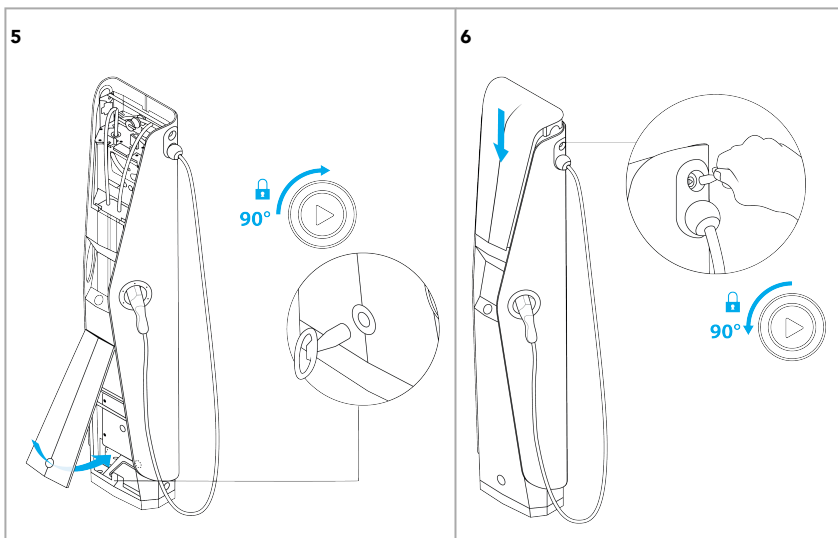
8. Close covers

4b



4c







Article number: 101115

EVBIM_122022 version 2.0 © EVBox Manufacturing B.V.