

EVBox Iqon

Installation and commissioning manual Part B

(ES) Manual de instalación y puesta en marcha Parte B

(FR) Manuel d'installation et de mise en service Partie B

EVBox Iqon

Installation and commissioning manual Part B

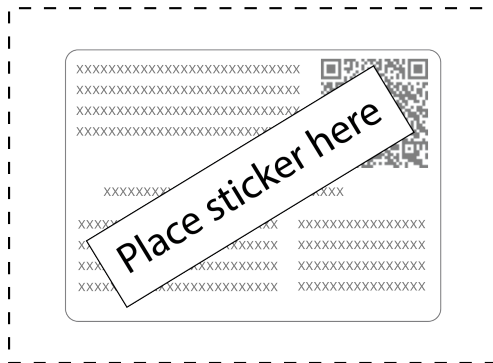
(ES) Manual de instalación y puesta en marcha Parte B

(FR) Manuel d'installation et de mise en service Partie B

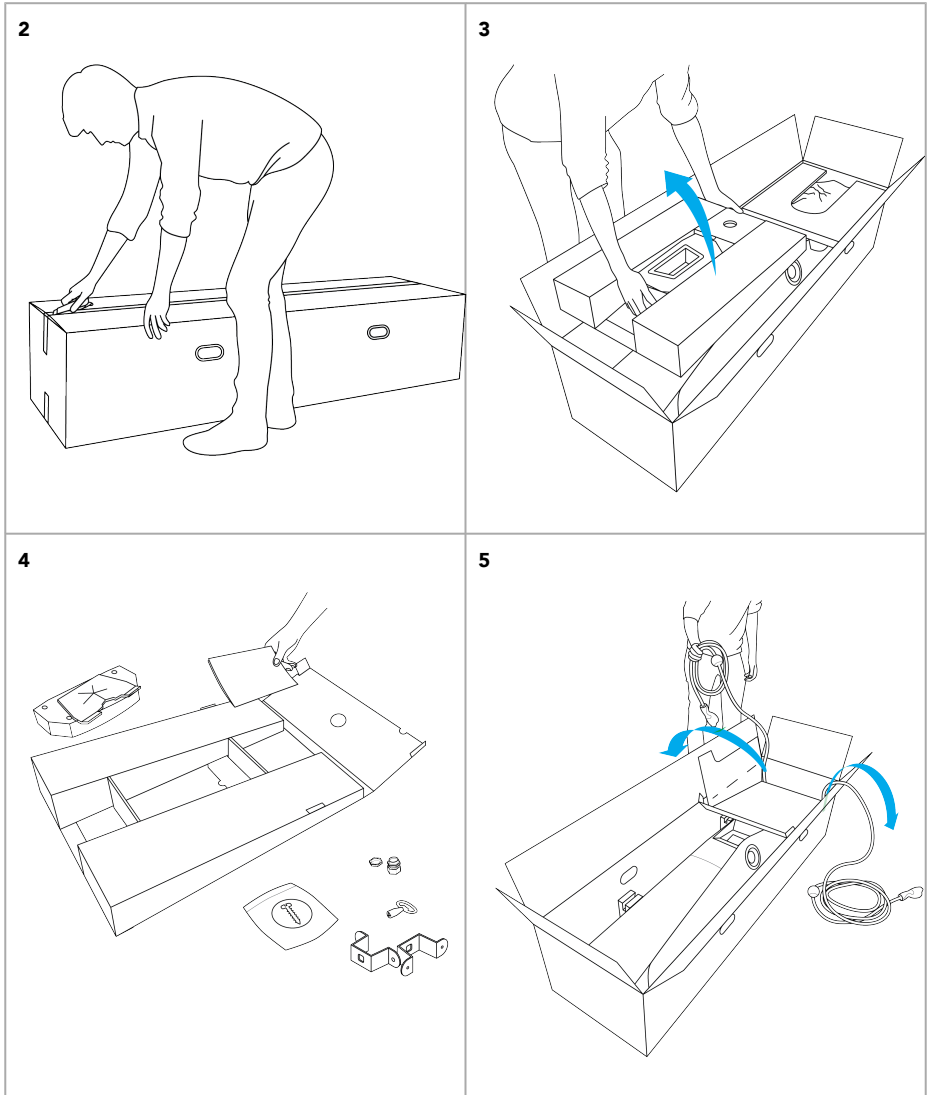
Contents

| | |
|------------------------------|----|
| 1. Configuration sticker | 2 |
| 2. Unpacking | 3 |
| 3. Prepare ground anchors | 11 |
| 4. Prepare wall mounting | 12 |
| 5. Install the station | 13 |
| 6. Connect power cables | 15 |
| 7. Connect RS485 data cables | 19 |
| 8. Close covers | 22 |

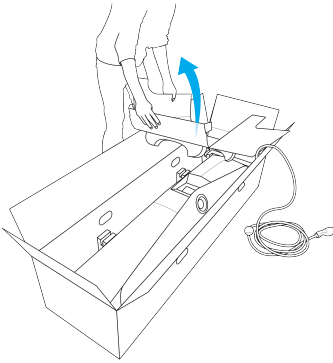
1. Configuration sticker



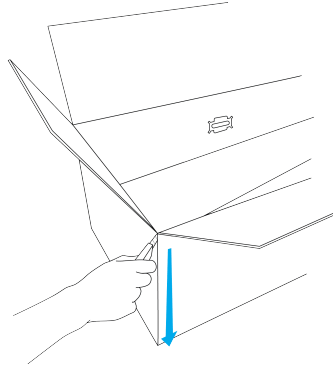
2. Unpacking



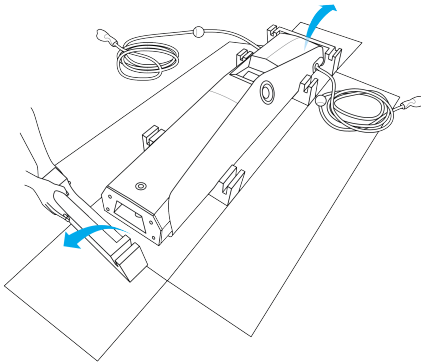
6



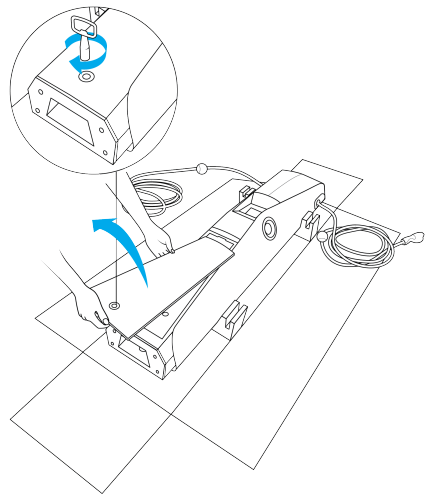
7



8

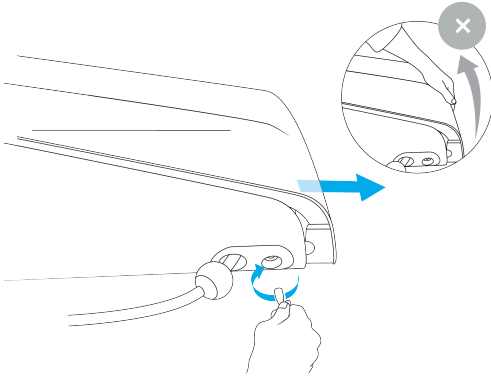


9

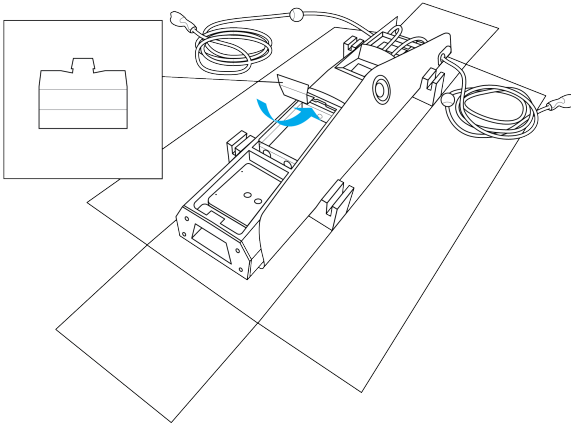


2. Unpacking

10




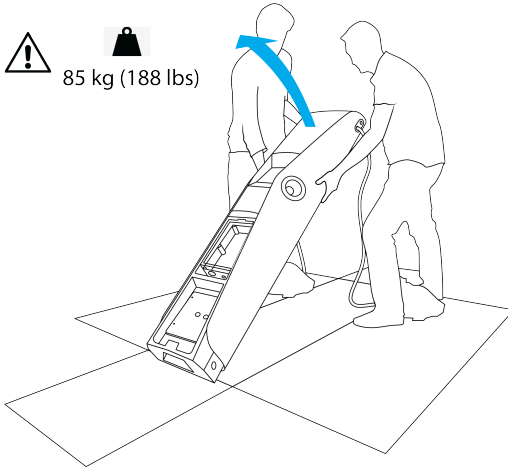
11



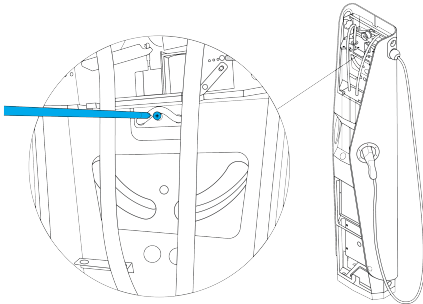
12



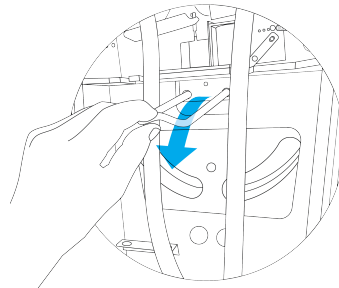

85 kg (188 lbs)



13a

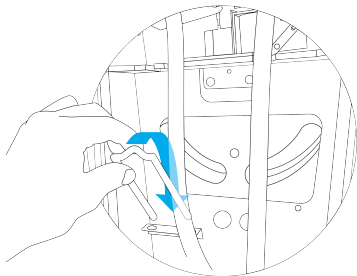


13b

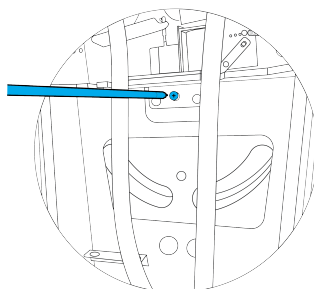


2. Unpacking

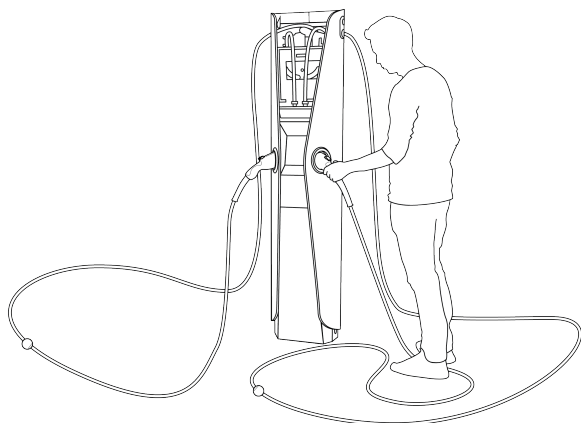
13c



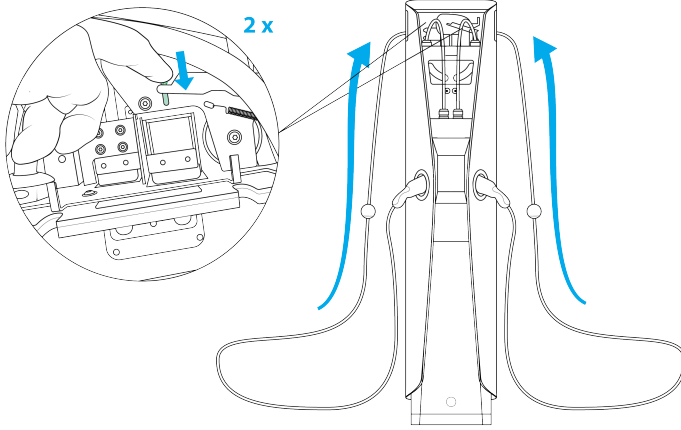
13d



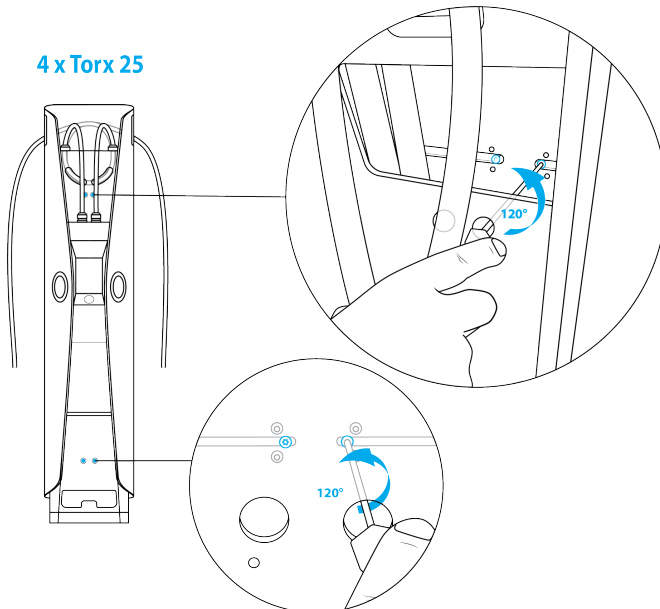
13e



13f

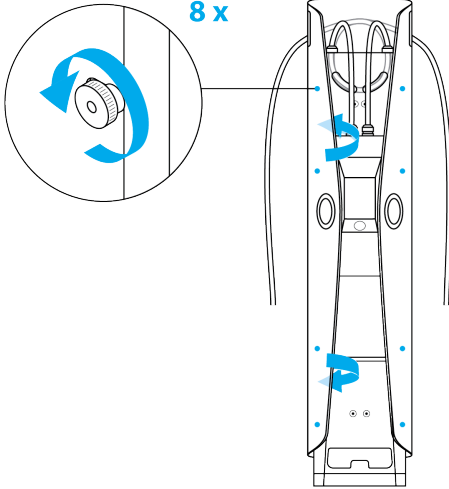


14a

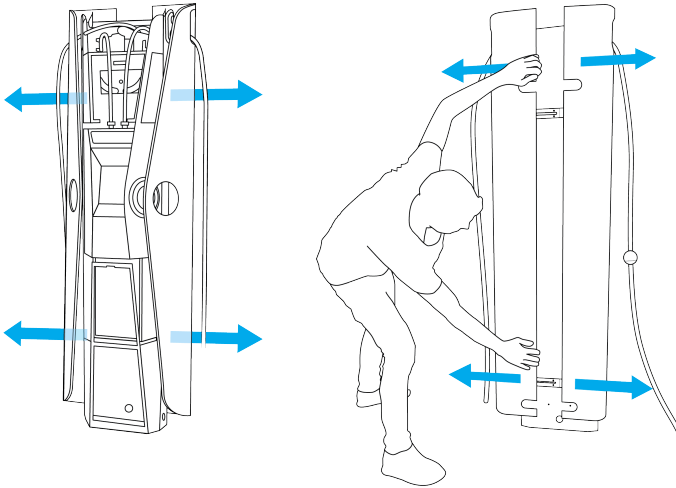


2. Unpacking

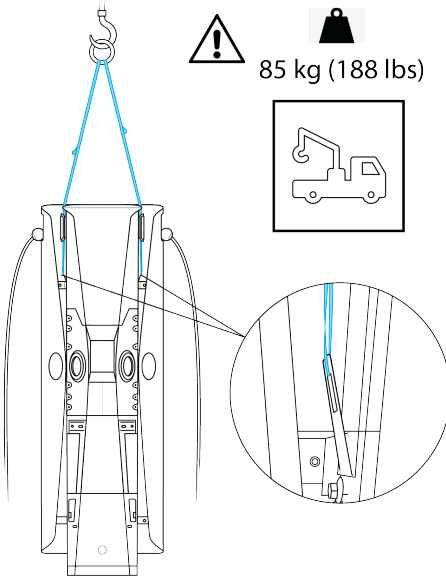
14b



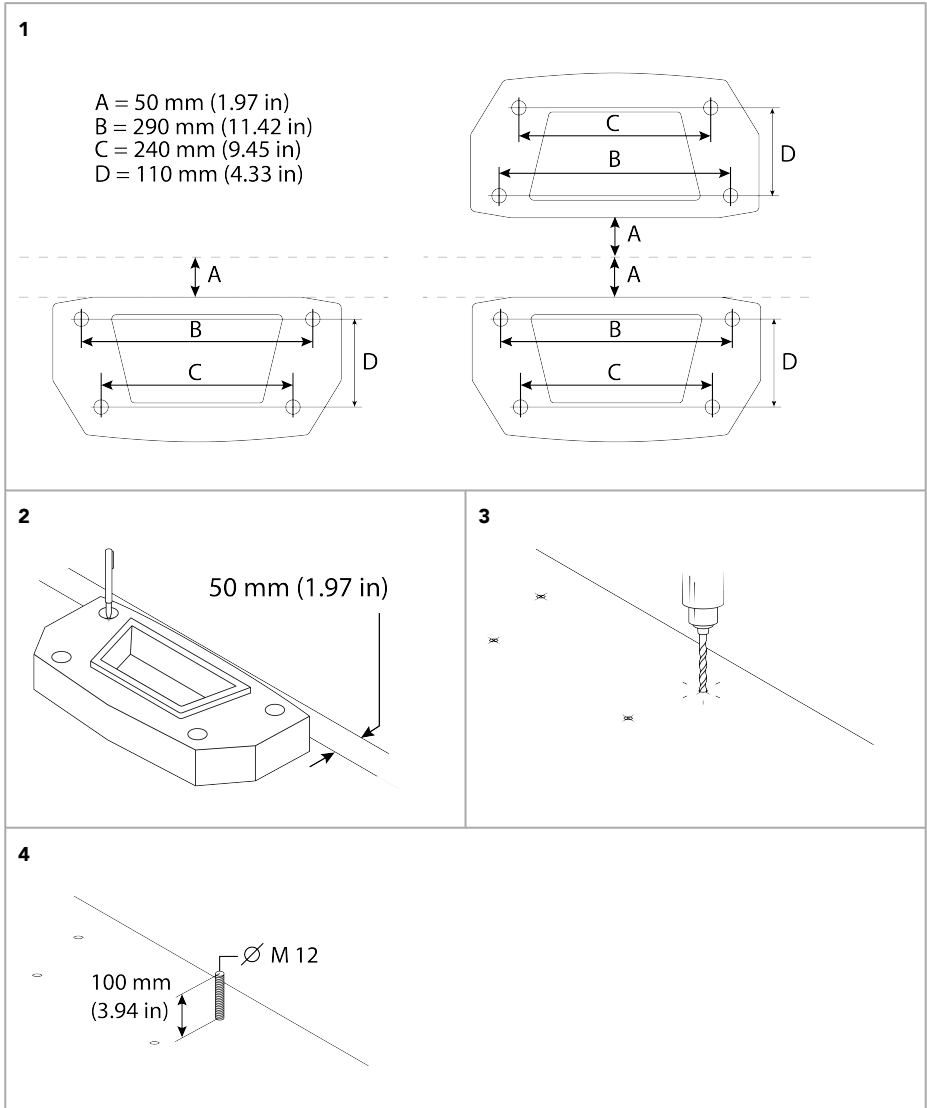
14c



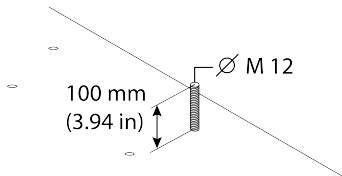
15a



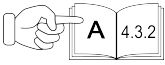
3. Prepare ground anchors



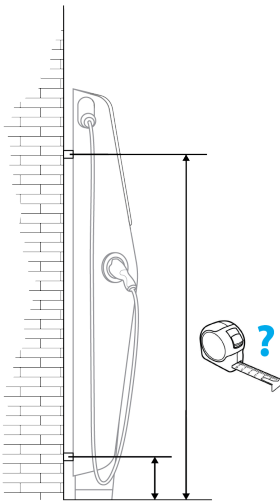
4



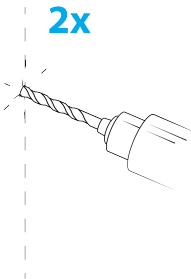
4. Prepare wall mounting



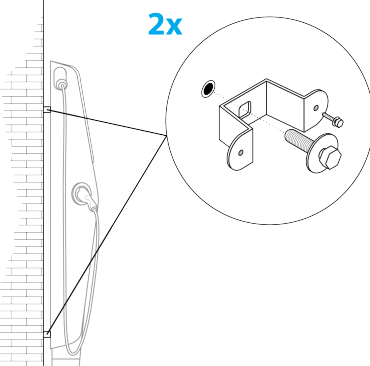
2



3



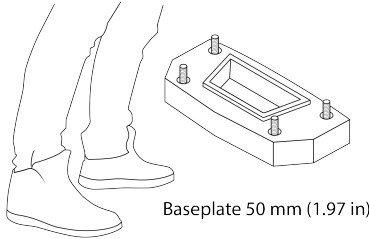
5



5. Install the station



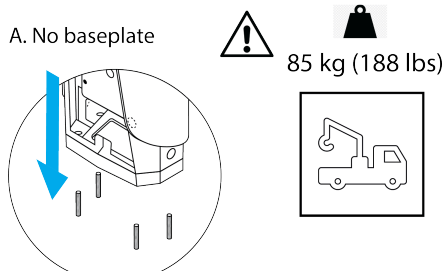
1



Baseplate 50 mm (1.97 in)

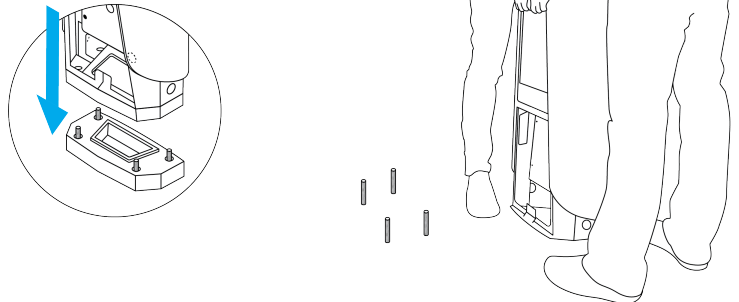
2

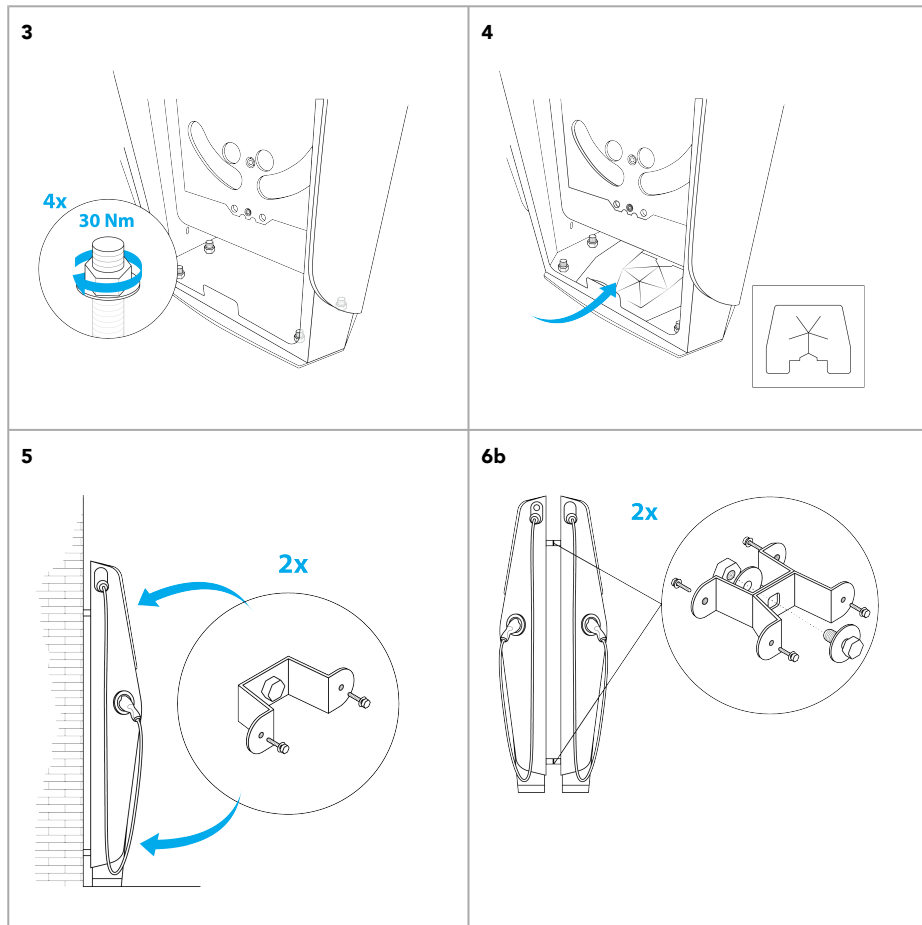
A. No baseplate



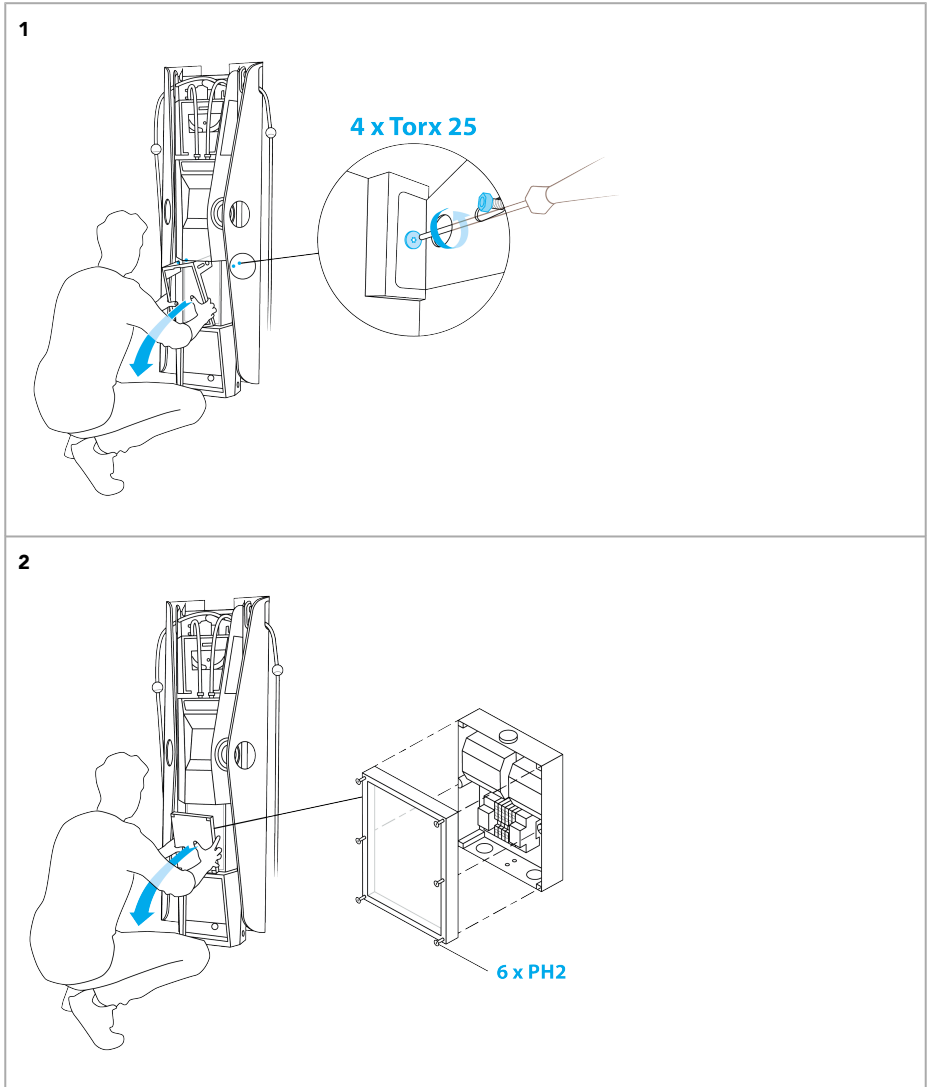
85 kg (188 lbs)

B. 50 mm baseplate

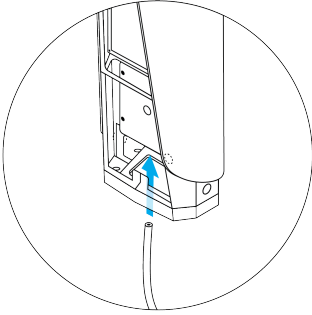




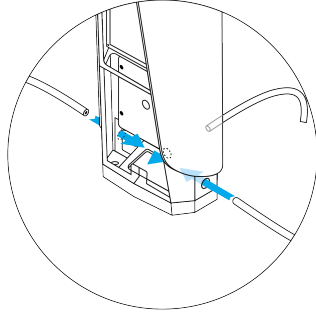
6. Connect power cables



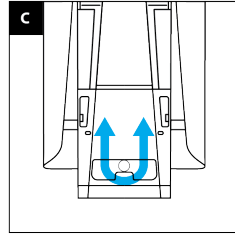
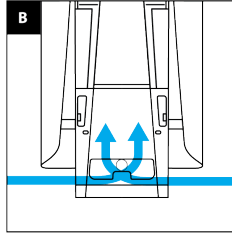
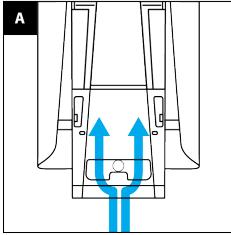
3 - 1



3 - 2

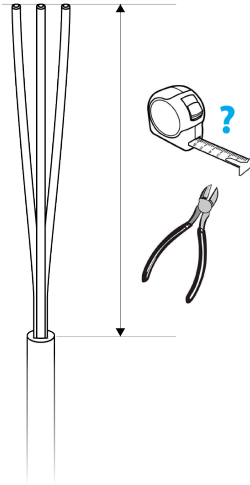


4

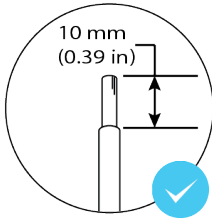


6. Connect power cables

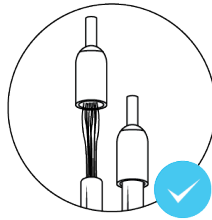
5



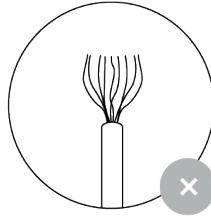
6



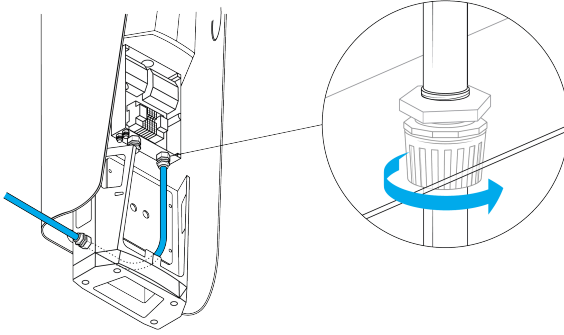
Solid wire



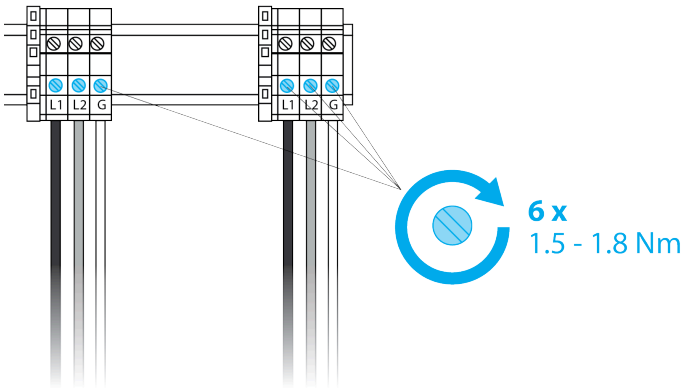
Stranded wire



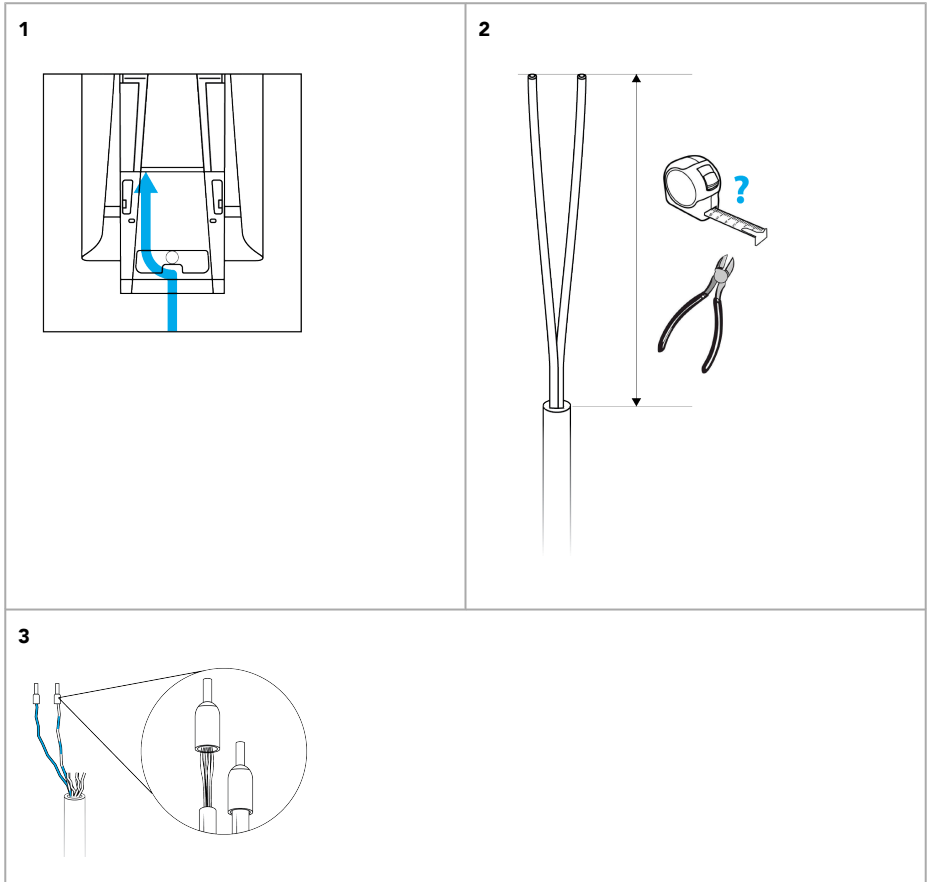
7



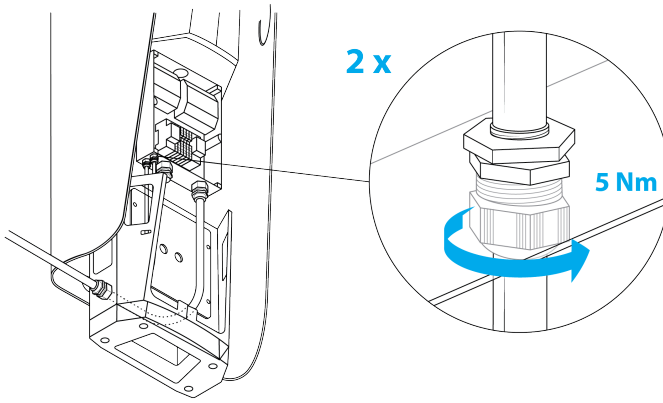
8



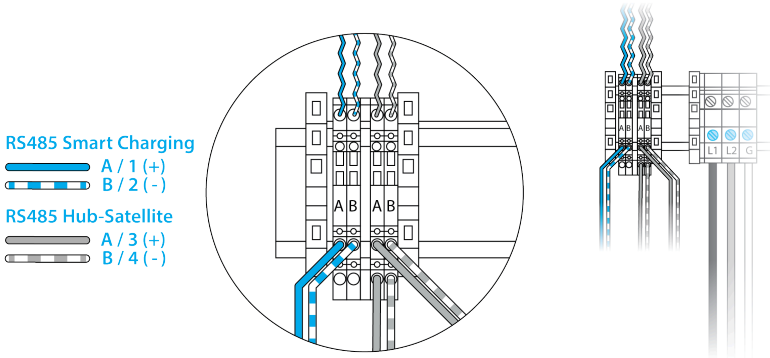
7. Connect RS485 data cables



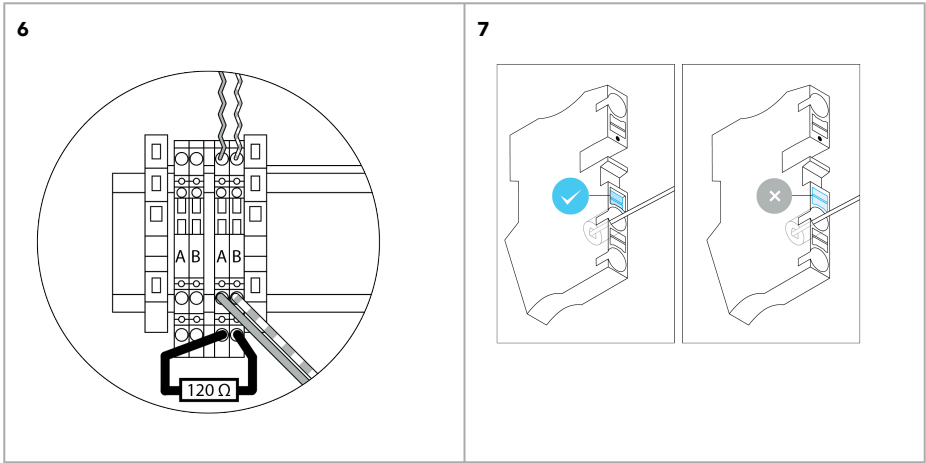
4



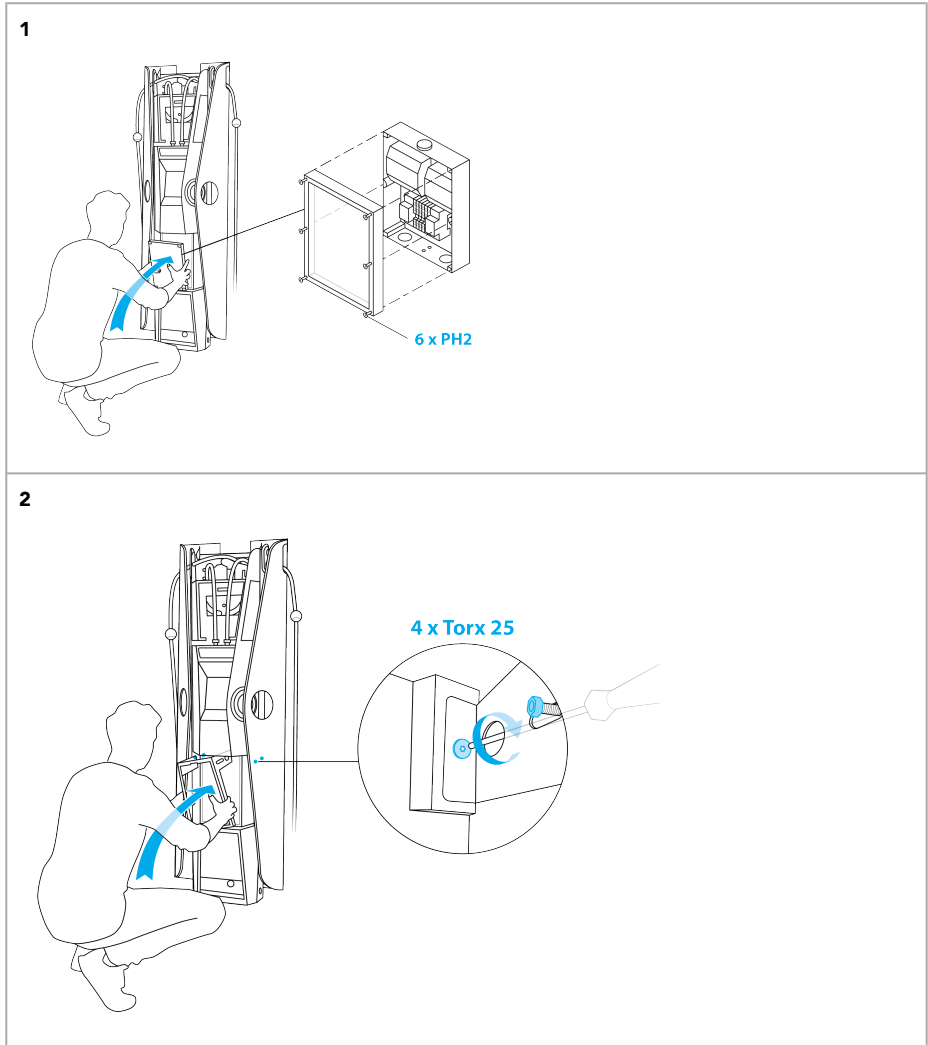
5



7. Connect RS485 data cables

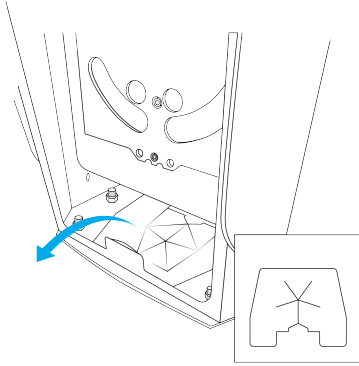


8. Close covers

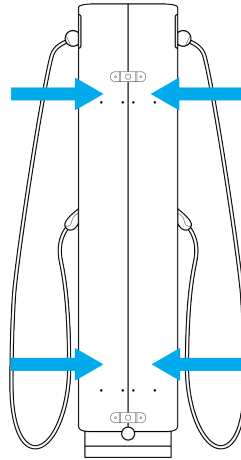


8. Close covers

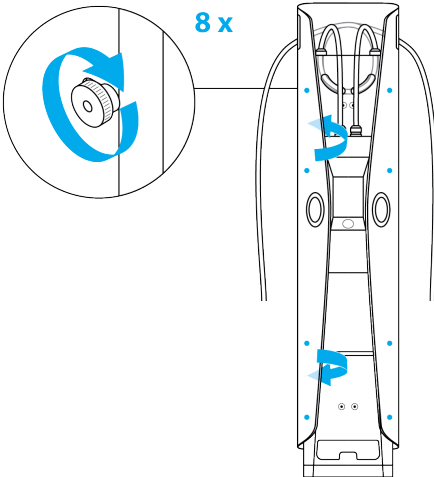
3



4a

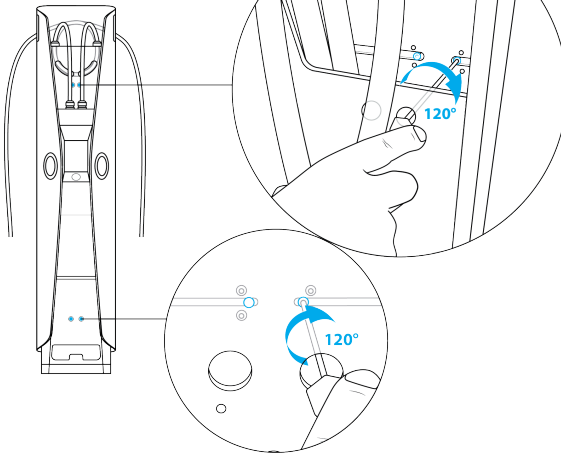


4b

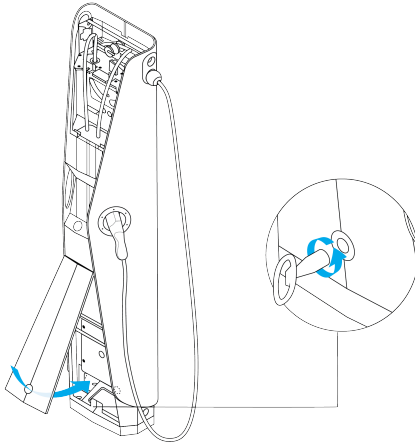


4c

4 x Torx 25



5



6

